



SUZUKI
MARINE

Parts Book
DT 30 (83-85)

PTBK150A

PREFACE

When it becomes necessary to replace parts on SUZUKI OUTBOARD MOTORS, always use SUZUKI GENUINE PARTS which have passed a strict inspection which guarantees quality and performance.

This parts catalogue covers the list of all service parts for SUZUKI DT30 QD/VE, DT30R VE/VF.

INSTRUCTIONS FOR QUOTING THE CATALOGUE

1. DIMENSIONS

Dimensions of the parts in this catalogue are indicated in unit millimeters.

2. ABBREVIATIONS

Abbreviations used in this catalogue are as follows:

- | | | | |
|---------|---------------------------|-----------|-------------------|
| AR | : As required | NT | : Number of teeth |
| ASSY | : Assembly | OPT | : Optional |
| E.No. | : Engine number | OS | : Over size |
| F.No. | : Frame number | STD | : Standard |
| d | : Diameter of material * | T | : Thickness |
| ID | : Inside diameter | US | : Under size |
| OD | : Outside diameter | W | : Width |
| L | : Length | S,L,UL,LL | : Transom type |
| LH | : Left hand side | | |
| RH | : Right hand side | | |
| ~123456 | : Up to F.No.03001-123456 | | |
| 123456~ | : From F.No.03001-123456 | | |

12 x 34 x 5.6 Figures in the description column show the dimensions of parts.

ID OD T(or W,L)

3. INNER PARTS OF ASSEMBLY

Parts number that have a period (.) mark in front of the part description on a text page are separately serviced parts of the assembly.

4. MODIFICATION NOTICE

A parts bulletin will be sent to you on all occasions when changes in parts occur, including interchangeable modifications between new parts and old ones.

5. NOTE

5-1. There are some different parts from those of production models among spare parts for the administrative reasons and common use of them with other models.

5-2. In respect of rubber hoses and vinyl tubes, please be sure to use them by cutting off according to the length mentioned on parts catalogue or what is actually required on the vehicle.

5-3. Note that the drawings on the illustration page are for ready reference of spare parts number, not to be used as an assembly manual. When assembling, use "SUZUKI SERVICE MANUAL".

6. ON ISSUE TO NEW SPARE PARTS CATALOGUE

This parts catalogue was arranged to include modifications as of Oct., 1984. Once each year new parts catalogue will be issued, containing, of course, all prior modifications. Upon receipt of each new issue the old catalogue should be destroyed.

7. ENGINE NUMBER

- DT30 QD : 03001-301001~308066
 DT30 VE, DT30R VE : 03001-408067~411086
 DT30R VF : 03001-511087~

Year	Parts Model Year Designation	Example*	Sales Model Year Designation	Example
1977	C	Cxxxxx	B	DT50ELB
1978	D	Dxxxxx	C	DT50ELC
1979	F	Fxxxxx	N	DT50ELN
1980	G	Oxxxxx	T	DT85TCLT
1981	J	1xxxxx	X	DT140TCLX
1982	VZ	2xxxxx	Z	DT140TCLZ
1983	QD	3xxxxx	D	DT140TCXD
1984	VE	4xxxxx	E	DT140TCXE
1985	VF	5xxxxx	F	DT140TCXF

*Engine number off clamp bracket

FIG.1

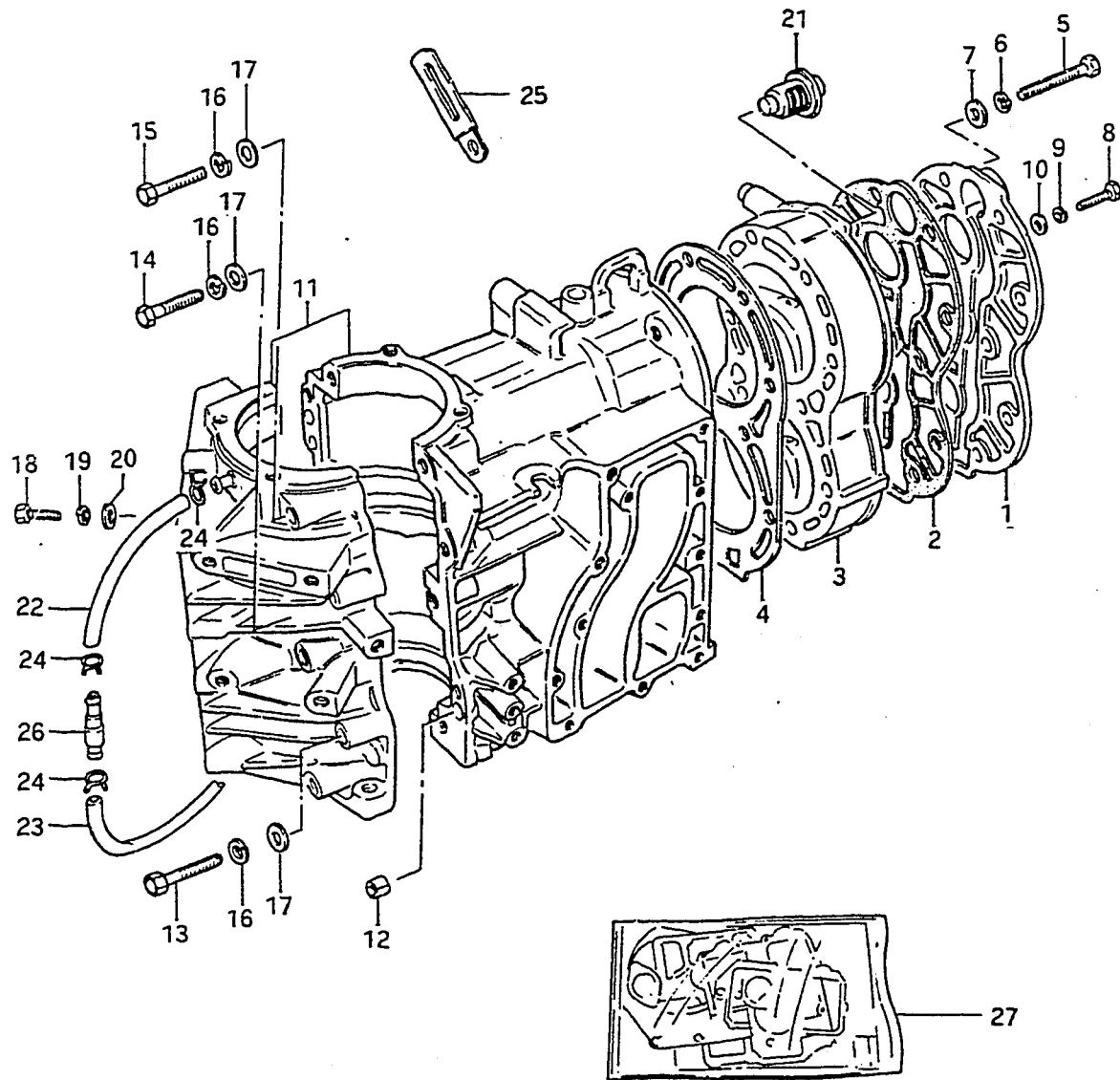
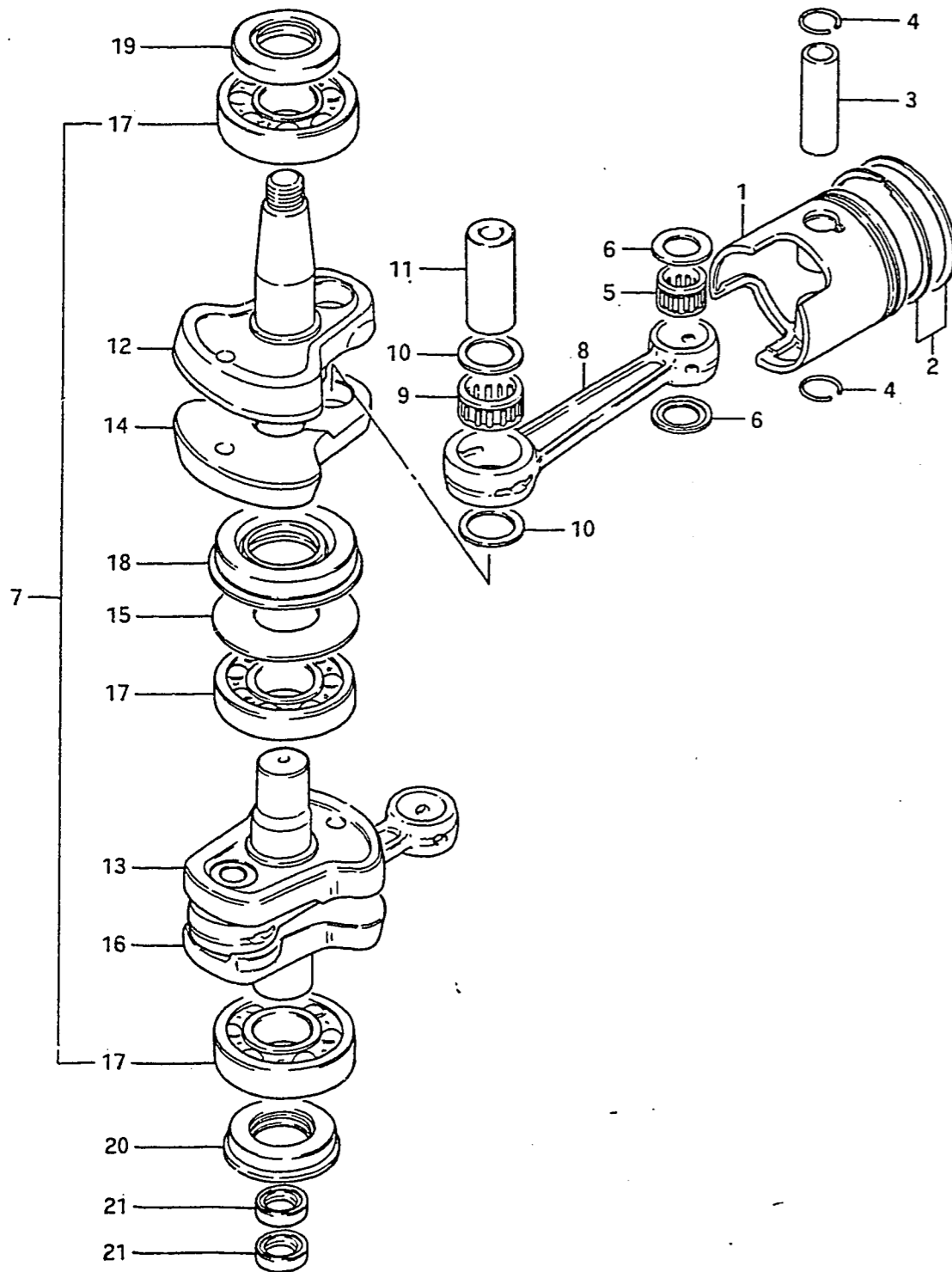


FIG.1 (B- 2) CYLINDER

REF.NO.	PART NO.	DESCRIPTION	Q'TY	REMARKS
1	11161-96302-02M	COVER, cylinder head	1	
2	11162-96302	GASKET	1	
3	11111-96302-02M	CYLINDER HEAD	1	
4	11141-96301	GASKET	1	
5	01107-08658	BOLT	10	
6	08321-11088	LOCK WASHER	10	
7	08322-11088	WASHER	10	
8	01107-06258	BOLT	2	
9	08321-21067	LOCK WASHER	2	
10	08322-21067	WASHER	2	
11-1	11301-96303-02M	CYLINDER ASSY	1	model VE
11-2	11301-96304-02M	CYLINDER ASSY	1	model VF
12	04211-09109	.PIN	2	
13	01107-08558	.BOLT	4	
14	01107-08458	.BOLT	2	
15	01107-08608	.BOLT	2	
16	08321-21088	.LOCK WASHER	8	
17	08322-11088	.WASHER	8	
18	01107-06258	.BOLT	4	
19	08321-21067	.LOCK WASHER	4	
20	08322-21067	.WASHER	4	
21	17670-94300	THERMOSTAT	1	
22	09343-03051	HOSE (3.1x6.8x330)	1	
23	09343-03051	HOSE (3.1x6.8x330)	1	
24	09401-06403	CLIP	4	
25	09404-06204	CLAMP (L:80)	2	
26	16710-96300	CHECK VALVE	1	
27-1	11400-96844	GASKET SET	1	OPT,model VE
27-2	11400-96845	GASKET SET	1	OPT,model VF

FIG.2

FIG.2 (B-3) CRANKSHAFT



REF.NO.	PART NO.	DESCRIPTION	Q'TY	REMARKS
1-1	12110-96302	PISTON, STD	2	model QD
1-2	12110-96303	PISTON, STD	2	model VE/VF
1-3	12110-96351-025	PISTON, OS:0.25	2	OPT,~307588
1-4	12110-96352-025	PISTON, OS:0.25	2	OPT,307589~411086
1-5	12110-96353-025	PISTON, OS:0.25	2	OPT,511087~
1-6	12110-96351-050	PISTON, OS:0.50	2	OPT,~307588
1-7	12110-96352-050	PISTON, OS:0.50	2	OPT,307589~411086
1-8	12110-96353-050	PISTON, OS:0.50	2	OPT,511087~
2-1	12140-96301	RING SET, piston, STD	2	
2-2	12140-96350-025	RING SET, piston, OS:0.25	2	OPT,model QD
2-3	12140-96351-025	RING SET, piston, OS:0.25	2	OPT,model VE/VF
2-4	12140-96350-050	RING SET, piston, OS:0.50	2	OPT,model QD
2-5	12140-96351-050	RING SET, piston, OS:0.50	2	OPT,model VE/VF
3	12151-92501	PIN, piston	2	
4	09381-18002	SNAP RING	4	
5	09263-18016	BEARING (18x23x22)	2	
6	09169-18001	WASHER	4	
7-1	12200-96352	CRANKSHAFT ASSY	1	~411086
7-3	12200-96304	CRANKSHAFT ASSY	1	model VF
8	12161-96300	.ROD, connecting	2	
9	09263-24016	.BEARING (24x32x20)	2	
10	09181-24001	.WASHER (24x31.5x1)	4	
11-1	12211-96300	.PIN, crank	2	~411086
11-2	12211-96301	.PIN, crank	2	511087~
12-1	12221-96302	.CRANKSHAFT, upper	1	~308066
12-2	12221-96303	.CRANKSHAFT, upper	2	408067~410151
12-3	12221-96304	.CRANKSHAFT, upper	2	410152~



FIG.2

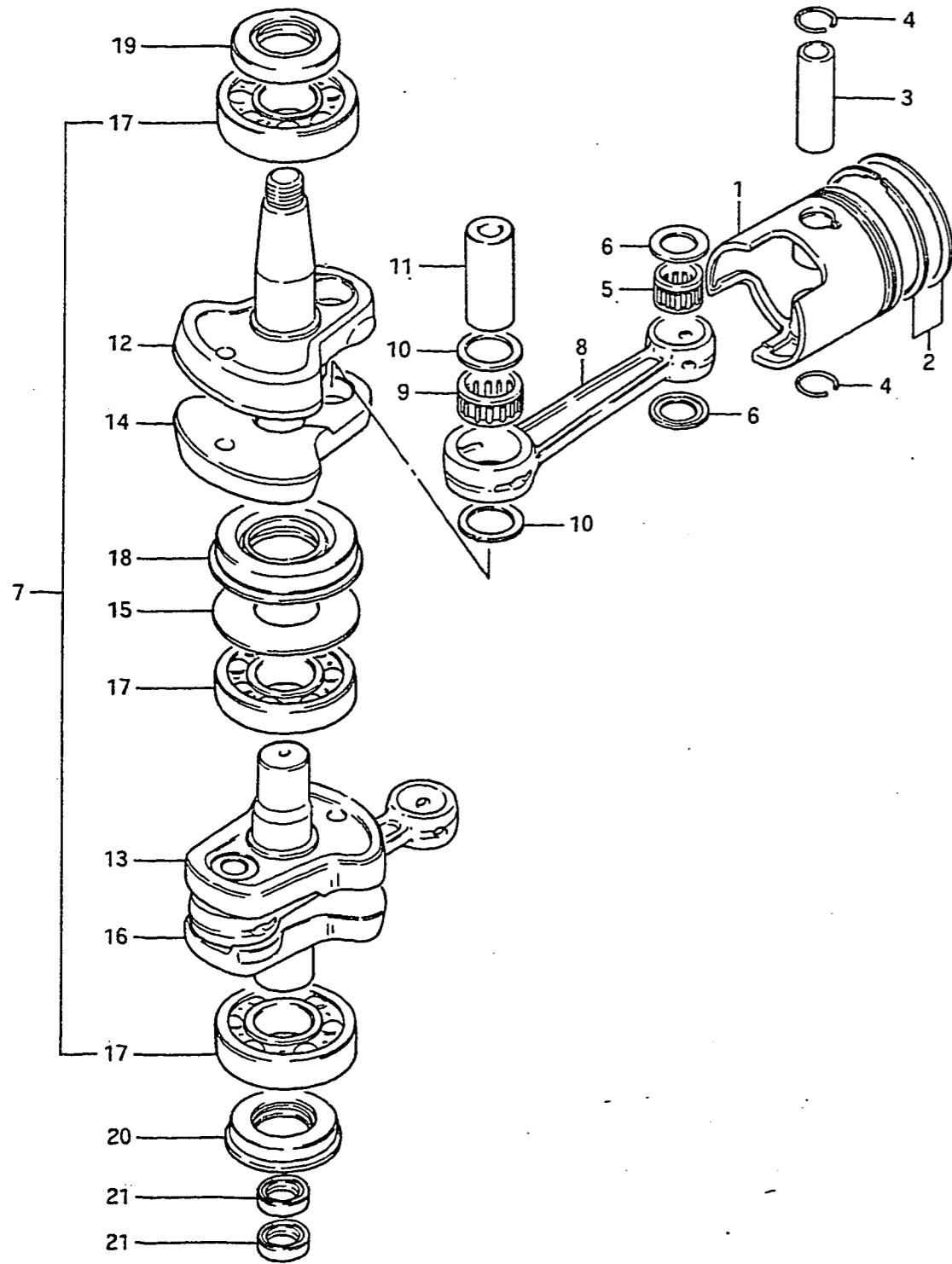


FIG.2 (B- 4) CRANKSHAFT

REF.NO.	PART NO.	DESCRIPTION	Q'TY	REMARKS
13-1	12232-96302	.WHEEL, middle under	1	~308066
13-2	12232-96303	.WHEEL, middle under	1	408067~
14	12231-96302	.WHEEL, middle upper	1	
15	09160-50002	.WASHER (50x77x1)	1	
16-1	12240-96304	.CRANKSHAFT, under	1	~410151
16-2	12240-96305	.CRANKSHAFT, under	1	410152~
17	09262-30055	.BEARING (30x72x19)	3	
18	09289-38013	.OIL SEAL	1	
19	09283-30011	OIL SEAL (30x55x10)	1	
20	09283-30042	OIL SEAL (30x55x10)	1	Flanged type
21	09282-15004	OIL SEAL (14.7x25x7)	2	

FIG.3

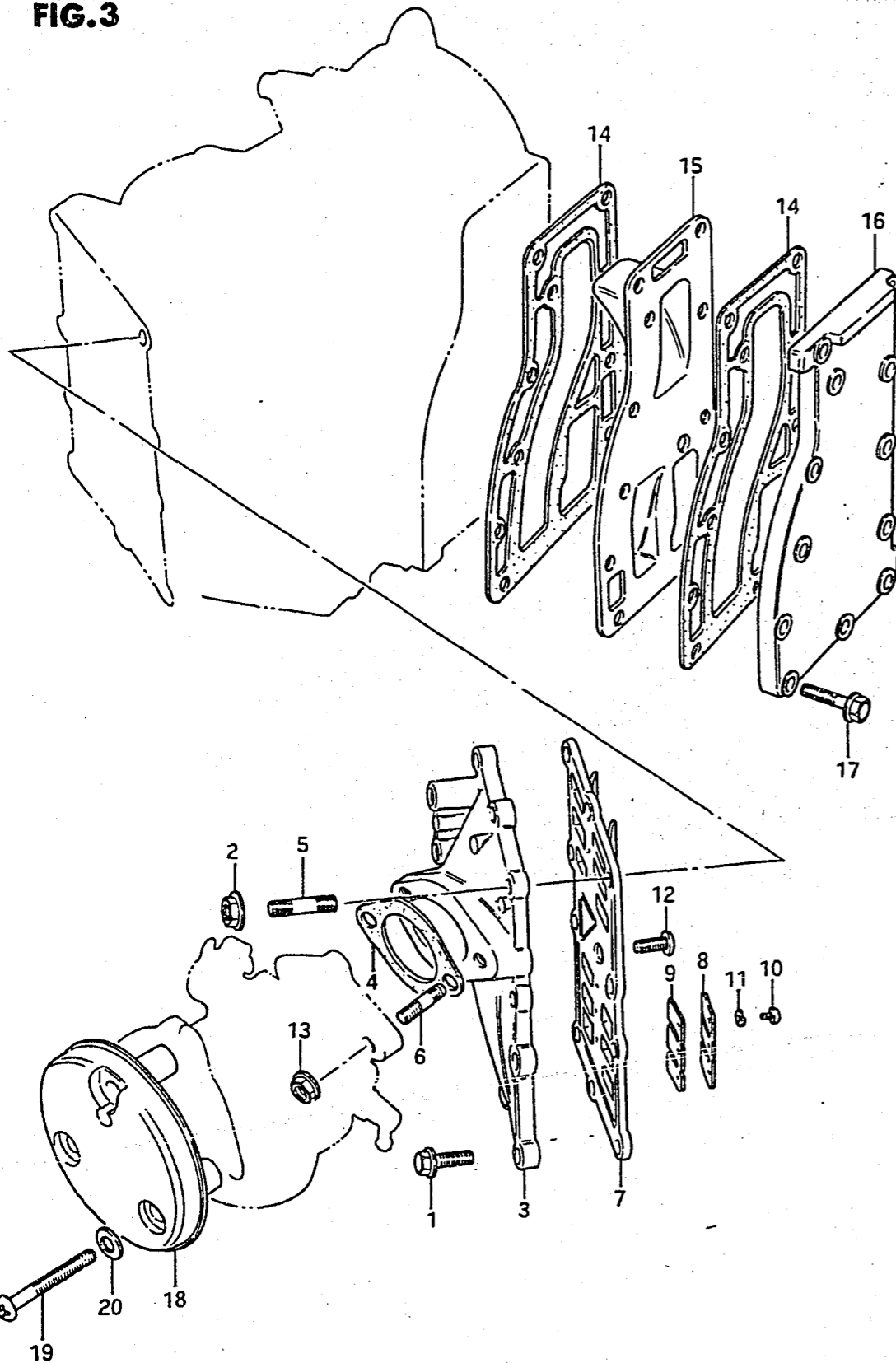


FIG.3 (B- 5) INLET CASE - EXHAUST COVER

REF.NO.	PART NO.	DESCRIPTION	Q'TY	REMARKS
1	01517-06258	BOLT	8	
2	09159-06017	NUT	2	
3-1	12481-96300-02M	CASE, inlet	1	model QD
3-2	12481-96301-02M	CASE, inlet	1	model VE/VF
4	13125-93000	GASKET, carburetor	1	
5	01411-08208	STUD BOLT	2	
6	01421-06208	STUD BOLT	2	
7	13150-96300	REED VALVE ASSY	1	
8	13152-96300	.STOPPER, reed valve	4	
9	13153-96300	.LEAD, valve	4	
10	02112-03068	.SCREW	12	
11	08321-21067	.LOCK WASHER	12	
12	02122-06168	SCREW	1	
13	08316-16088	NUT	2	
14	14151-96300	GASKET, exhaust cover	2	
15	14131-96301	PLATE, exhaust	1	
16	14141-96300-02M	COVER, exhaust	1	
17	01517-06258	BOLT	12	
18	13811-96300	CASE, silencer	1	
19	02112-06408	SCREW	3	
20	08322-21067	WASHER	3	

FIG.4

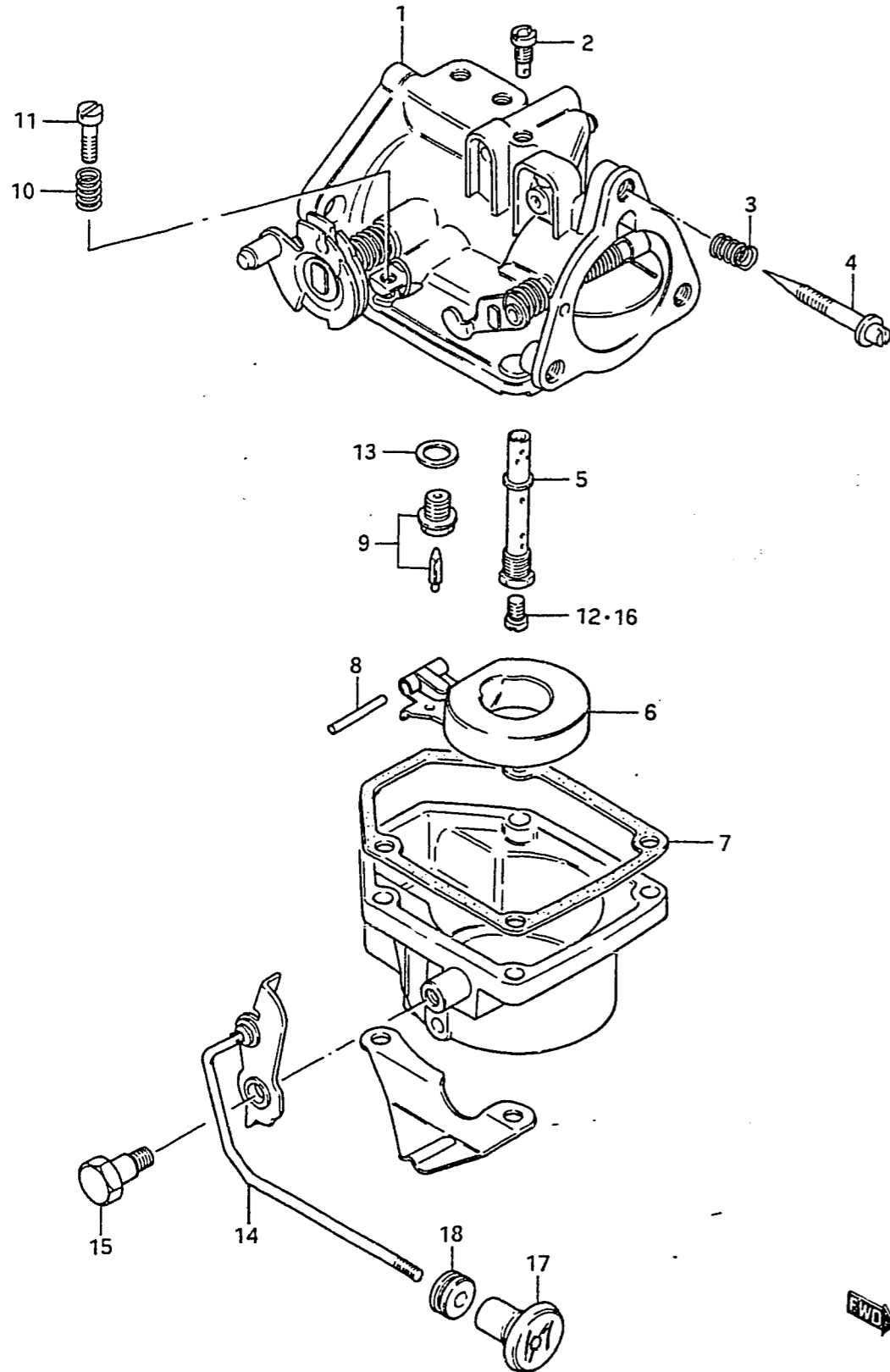


FIG.4 (B- 6) CARBURETOR

REF.NO.	PART NO.	DESCRIPTION	Q'TY	REMARKS
1-1	13200-96300	CARBURETOR ASSY	1	~303224
1-2	13200-96301	CARBURETOR ASSY	1	303225~408066
1-3	13200-96302	CARBURETOR ASSY	1	408067~411086
1-4	13200-96303	CARBURETOR ASSY	1	511087~
2	09492-85001	.JET, air (85)	1	
3	13271-93311	.SPRING, air screw	1	
4	13269-93311	.SCREW, pilot air	1	
5	13235-96300	.NOZZLE	1	
6	13250-93012	.FLOAT	1	
7	13251-93310	.GASKET, float chamber	1	
8	13254-93010	.PIN, float	1	
9	13370-28110	.VALVE ASSY, needle	1	
10	13268-96110	.SPRING, throttle stop	1	
11	13534-96300	.SCREW, throttle stop	1	
12	09491-32006	.JET, main (160)	1	
13	13392-58600	.GASKET, valve seat	1	
14	13681-96300	.LEVER, choke	1	
15	13682-96300	.BOLT	1	
16-1	09491-34004	JET, main (170)	1	OPT
*16-2	09491-33004	JET, main (165)	1	OPT
16-3	09491-31003	JET, Main (155)	1	OPT
17	13631-93500	KNOB, starter	1	
18	09305-04005	BUSH	1	



FIG.5

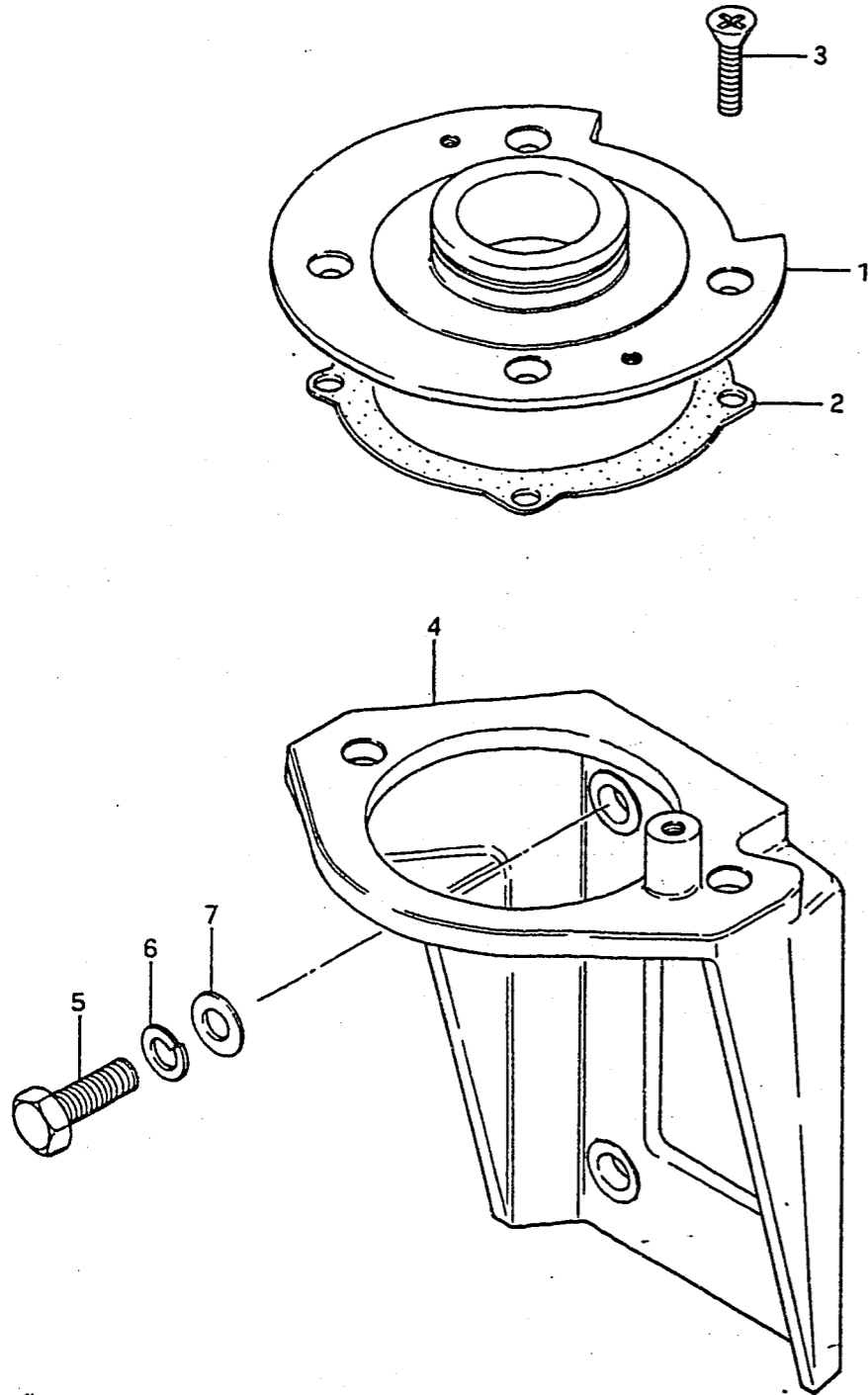


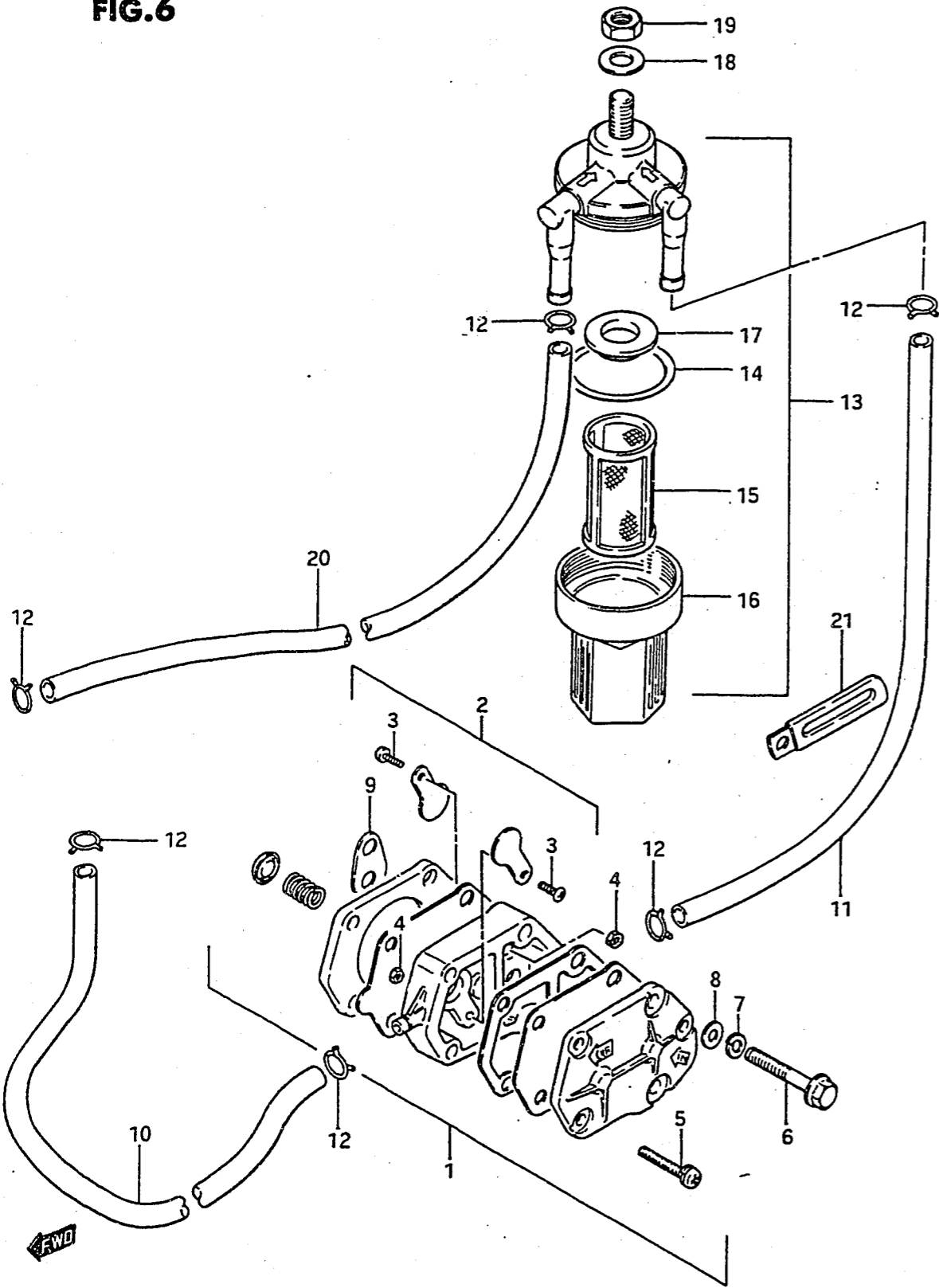
FIG.5 (B- 7) UPPER OIL SEAL HOUSING

REF.NO.	PART NO.	DESCRIPTION	Q'TY	REMARKS
1	11411-96301	HOUSING, upper oil seal	1	
2	11413-96300	GASKET	1	
3	02122-06208	SCREW	4	
4	31911-96302-02M	BRACKET, starter	1	ELECTRIC STARTER
5	01107-08258	BOLT	4	ELECTRIC STARTER
6	08321-21088	LOCK WASHER	4	ELECTRIC STARTER
7	08322-11088	WASHER	4	ELECTRIC STARTER



FIG.6

FIG.6 (B- 8) FUEL PUMP



REF.NO.	PART NO.	DESCRIPTION	Q'TY	REMARKS
1	15100-94301	PUMP ASSY, fuel	1	
2	15170-94311	.DIAPHRAGM SET	1	
3	15183-94301	.SCREW	2	
4	15186-94300	.NUT	2	
5	15851-94300	.SCREW	3	
6	01107-06408	BOLT	2	
7	08321-21067	LOCK WASHER	2	
8	08322-21067	WASHER	2	
9	15321-99700	GASKET	1	
10	09343-05137	HOSE (5x9x500)	1	L:500→195
11	09343-05137	HOSE (5x9x500)	1	L:500→195
12	09401-09402	CLIP	6	
13	15410-93400	FILTER, fuel	1	
14	15415-93400	.O RING	1	
15	15412-93400	.STRAINER	1	
16	15413-93400	.CUP	1	
17	15416-93400	.PACKING	1	
18	08322-21088	WASHER	1	
19	08310-22088	NUT	1	
20	09343-05137	HOSE (5x9x500)	1	L:500→320
21	09404-06414	CLAMP (L:80)	1	

FIG.7

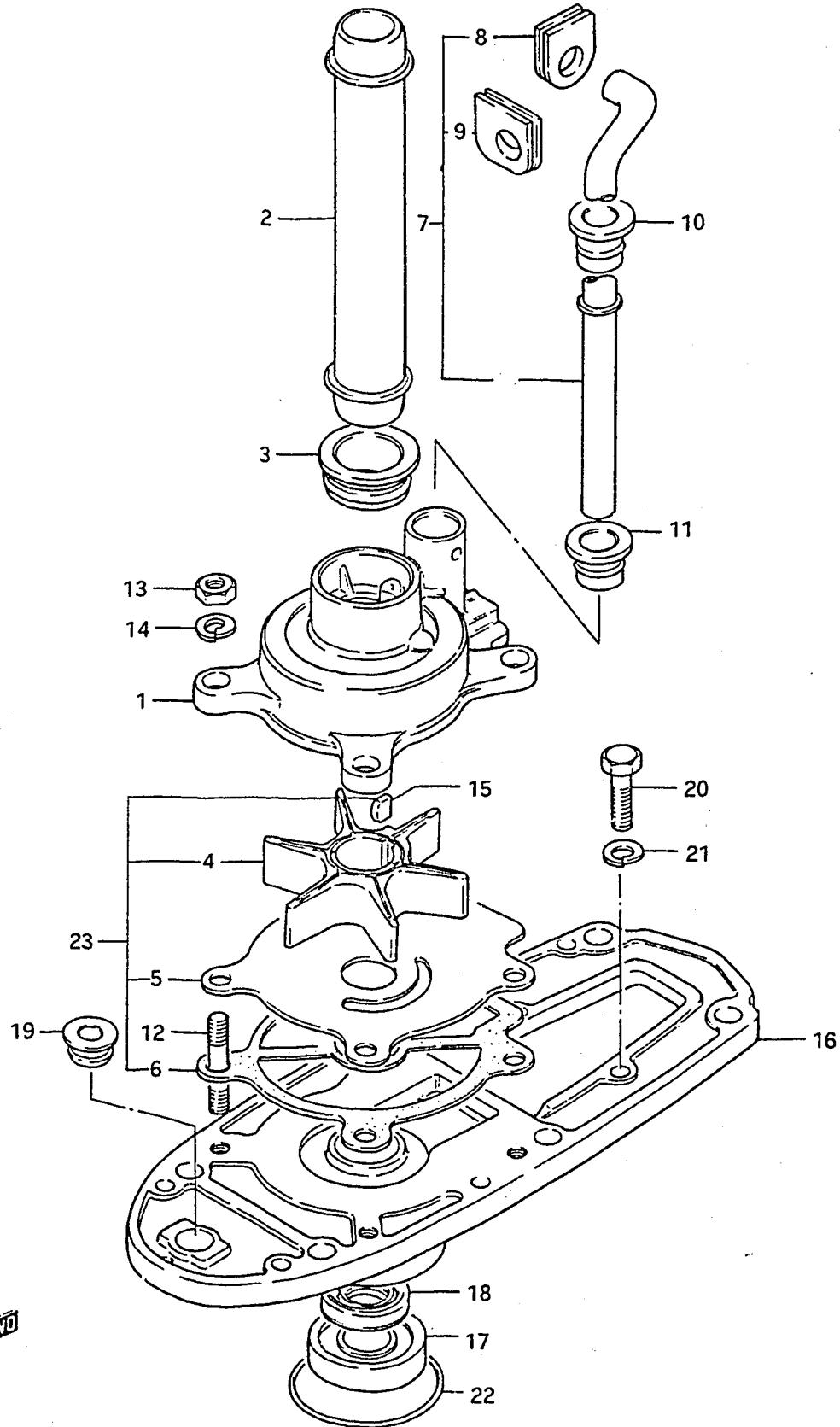


FIG.7 (B- 9) WATER PUMP

REF.NO.	PART NO.	DESCRIPTION	Q'TY	REMARKS
1-1	17411-96302	CASE, water pump	1	~409926
1-2	17411-94400	CASE, water pump	1	409927~
2-1	17431-96310	TUBE, water pump seal (S)	1	
2-2	17431-96300	TUBE, water pump seal (L)	1	
3	17432-96300	GROMMET, seal tube	2	
4	17461-96301	IMPELLER, water pump	1	
5-1	17471-96301	PANEL, under	1	~409926
5-2	17471-94400	PANEL, under	1	409927~
6-1	17472-96300	GASKET, pump case lower	1	~409926
6-2	17472-96301	GASKET, pump case lower	1	409927~
7-1	17560-96310	TUBE, water (S)	1	~410651
7-2	17560-96311	TUBE, water (S)	1	410652~
7-3	17560-96300	TUBE, water (L)	1	~410651
7-4	17560-96301	TUBE, water (L)	1	410652~
8-1	17563-96300	.GROMMET, upper (1)	1	~410651
8-2	17563-96301	.GROMMET, upper (1)	1	410652~
9-1	17564-96300	.GROMMET, upper (2)	1	~410651
9-2	17564-96301	.GROMMET, upper (2)	1	410652~
10	17565-96300	GROMMET, middle	1	
11-1	17566-96301	GROMMET, lower	1	~409926
11-2	17566-96302	GROMMET, lower	1	409927~
12	09108-06032	STUD BOLT	4	
13	09140-06004	NUT	4	
14	09162-06001	LOCK WASHER	4	
15	09420-04006	KEY	1	
16-1	56130-96300-02M	HOUSING, drive shaft bearing	1	model QD
16-2	56130-96301-02M	HOUSING, drive shaft bearing	1	model VE/VF
17	09265-17002	.BEARING	1	
18	09289-17004	.OIL SEAL	1	
19	25214-96301	.BUSH, shifting rod	1	
20	09100-06103	BOLT	2	
21	09162-06001	LOCK WASHER	2	
22	09280-50005	O RING	1	
23	17400-96350	KIT, water pump repair	1	OPT

FIG. 8

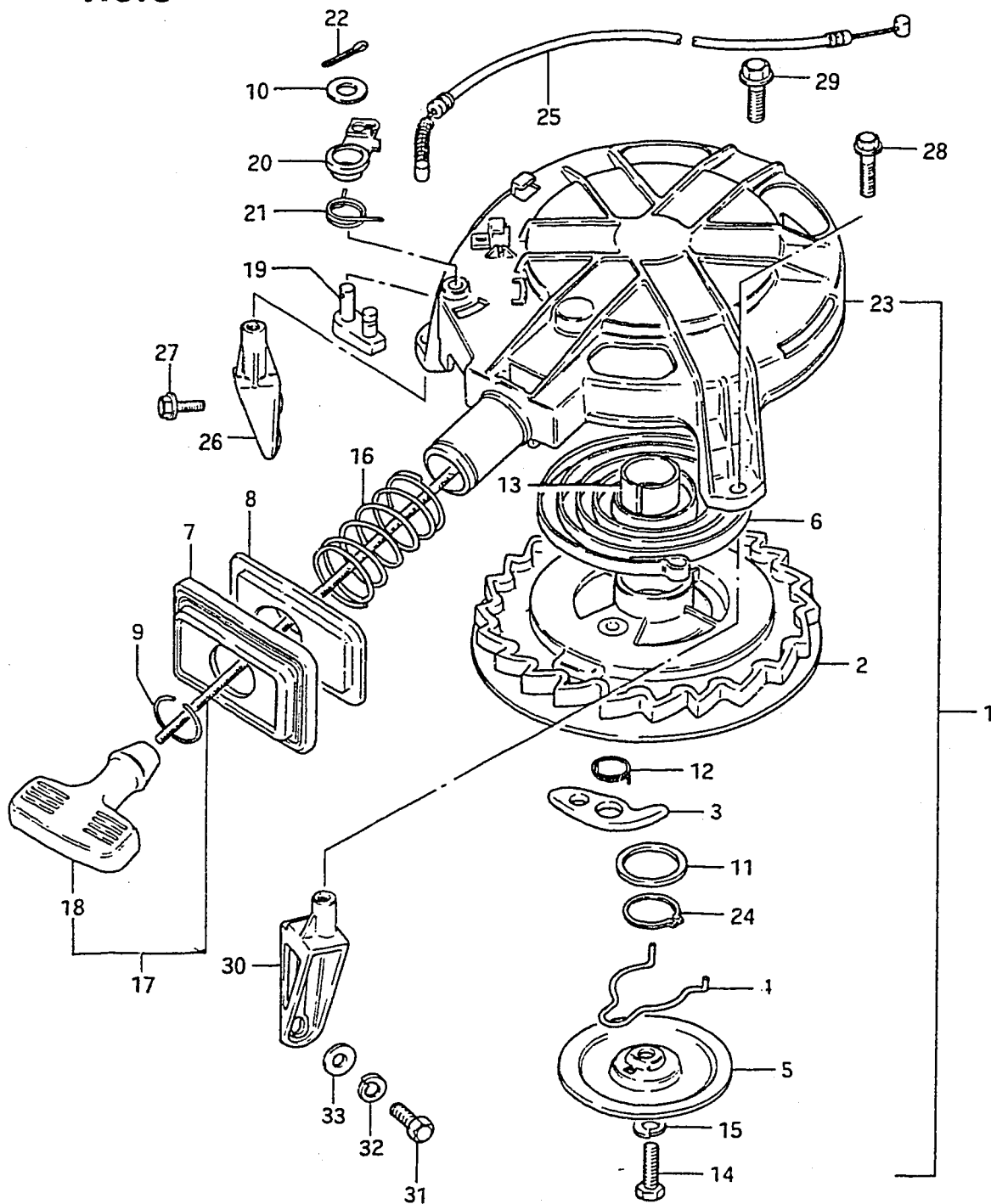
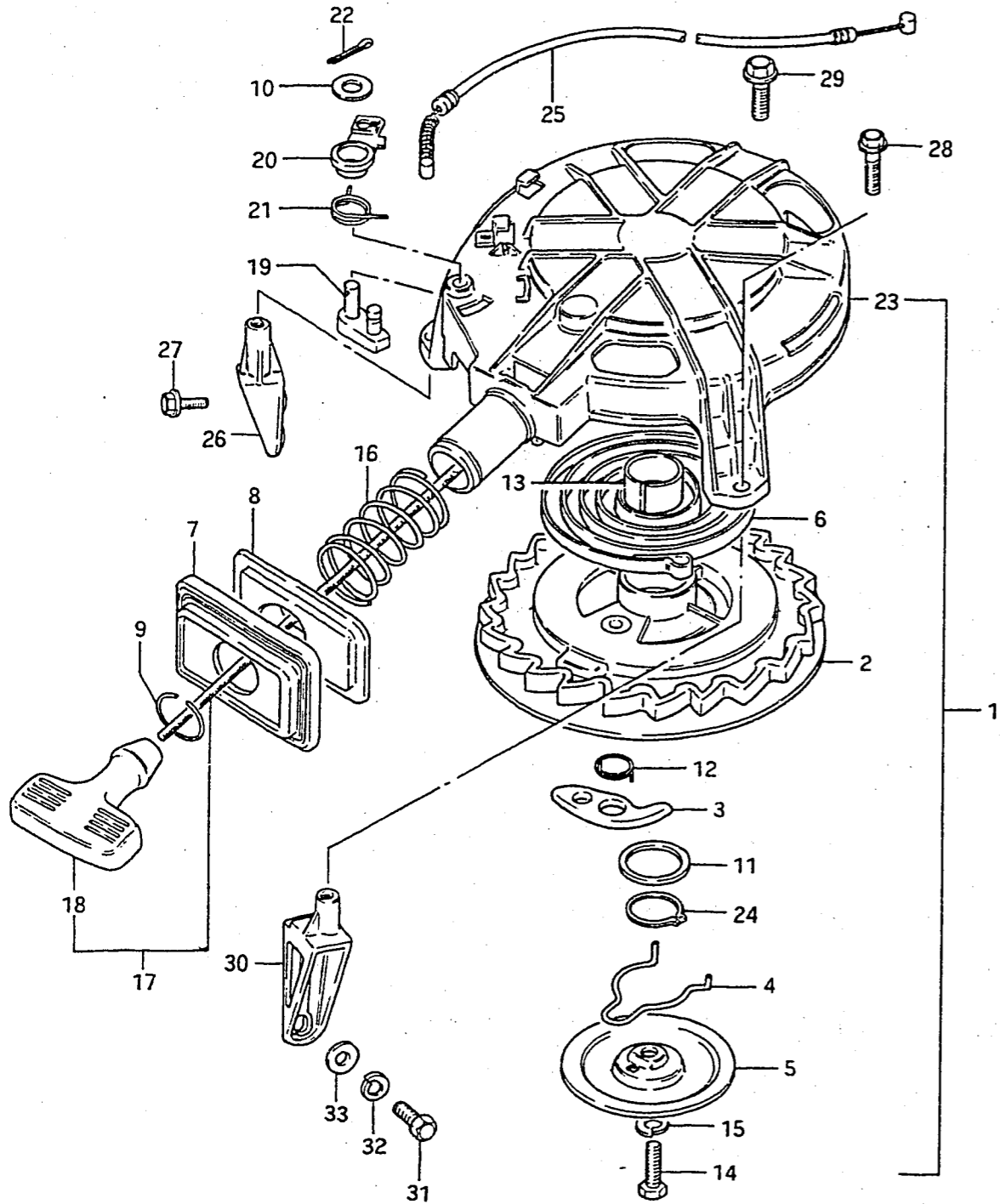


FIG. 8 (B-10) RECOIL STARTER

REF.NO.	PART NO.	DESCRIPTION	Q'TY	REMARKS
1-1	18100-96303	STARTER ASSY, recoil	1	~307497
1-2	18100-96304	STARTER ASSY, recoil	1	307498~408716
1-3	18100-96305	STARTER ASSY, recoil	1	408717~411086
1-4	18100-96306	STARTER ASSY, recoil	1	511087~
2-1	18120-96300	.REEL	1	for 18100-96303
2-2	18120-96301	.REEL	1	for 18100-96304
3	18131-96301	.RATCHET	1	
4	18153-96300	.SPRING	1	
5	18151-96301	.PLATE	1	
6	18142-96300	.SPRING	1	
7	18191-95202	.PLATE	1	
8	18192-95204	.RUBBER, protector	1	
9	18195-95200	.RING	1	
10	18335-96300	.WASHER	1	
11	18162-96300	.WASHER	1	
12	18155-96301	.SPRING	1	
13	18124-96300	.BUSH	1	
14	18332-96300	.BOLT	1	
15	08321-31068	.LOCK WASHER	1	
16	18196-93000	.SPRING, protector	1	
17	18200-95202	.GRIP ASSY	1	
18	18210-93001	..GRIP	1	
19	18281-96300	.LEVER, stopper	1	
20	18282-96300	.ARM, stopper	1	



FIG. 8



10

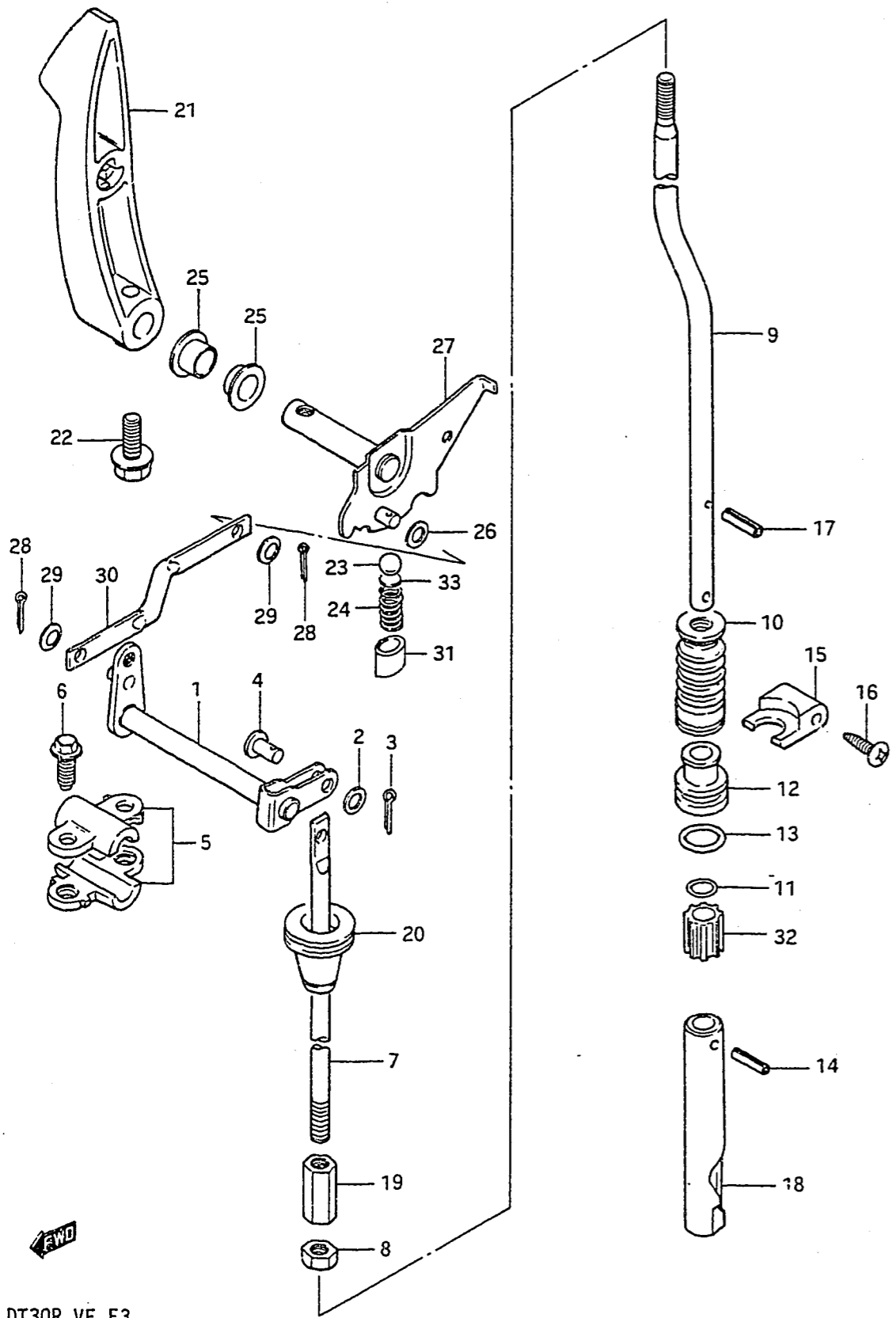
FIG. 8 (B-11) RECOIL STARTER

REF.NO.	PART NO.	DESCRIPTION	Q'TY	REMARKS
21	18284-96300	.SPRING	1	
22	18348-96300	.PIN	1	
23	18111-96301	.CASE, starter	1	
24	18255-96300	.SNAP CLIP	1	
25	18290-96300	CABLE, NSI	1	
26-1	18711-96302-02M	BRACE, recoil starter STBD	1	model QD
26-2	18711-96303-02M	BRACE, recoil starter STBD	1	model VE/VF
27	01517-06208	BOLT	2	
28	01517-06258	BOLT	2	
29	01517-08258	BOLT	1	
30	18721-96303-02M	BRACE, recoil starter PORT	1	MANUAL STARTER
31	01107-08258	BOLT	2	
32	08321-21088	LOCK WASHER	2	
33	08322-11088	WASHER	2	

← FWD

FIG.9 (C- 2) CLUTCH

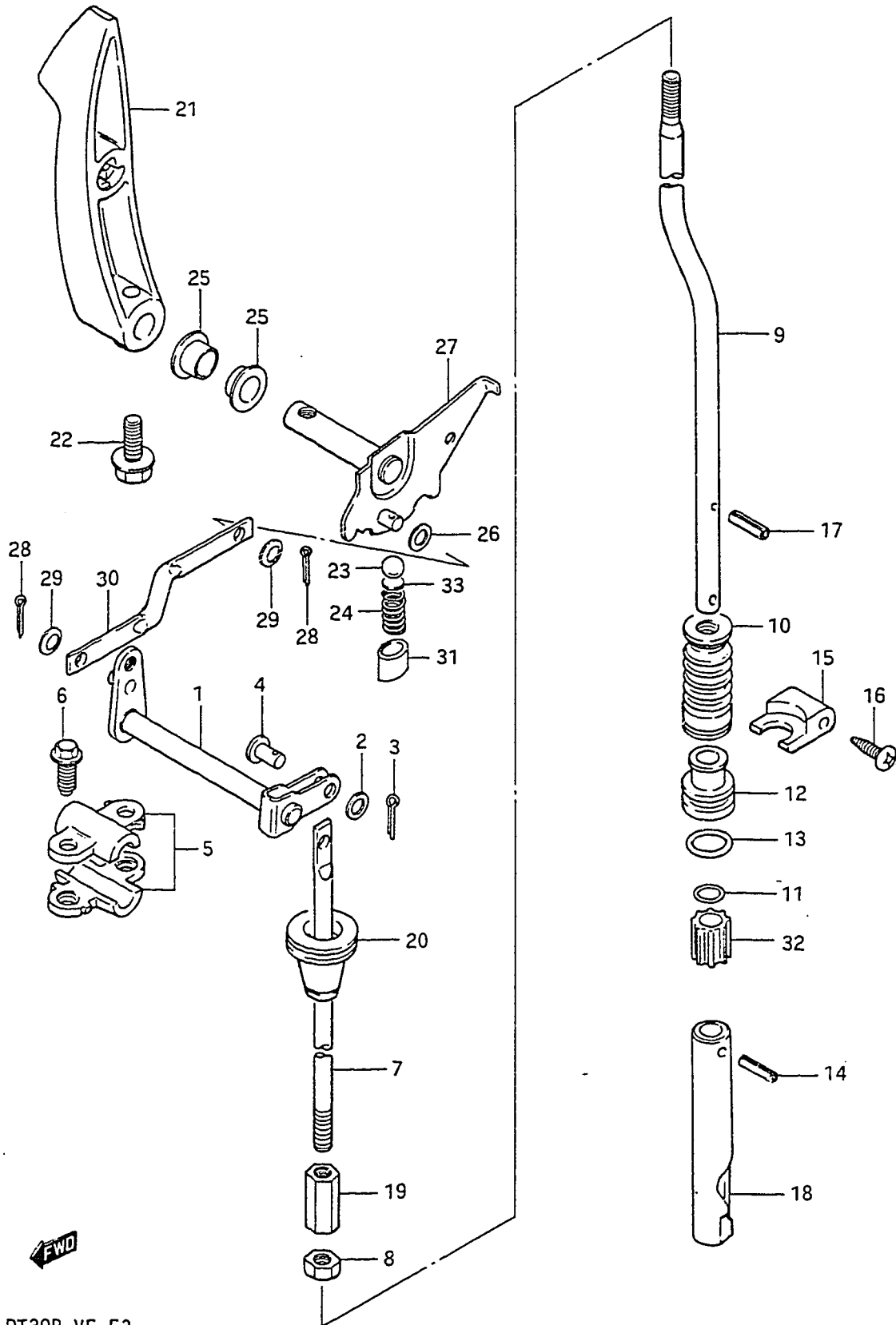
FIG.9



REF.NO.	PART NO.	DESCRIPTION	Q'TY	REMARKS
1	21210-96300	SHAFT, clutch	1	
2	09160-05010	WASHER (5.5x10x0.8)	1	
3	09204-01001	COTTER PIN	1	
4	09200-05006	PIN	1	
5	21311-96300	HOLDER, clutch shaft	4	
6	01517-06208	BOLT (6x20)	4	
7	23111-96300	ROD, clutch	1	
8	09140-06004	NUT	1	
9-1	25111-96310	ROD, shift (S)	1	
9-2	25111-96300	ROD, shift (L)	1	
10	25222-96300	BOOT, shift rod	1	
11	09280-08005	O RING	2	
12	25211-96301	GUIDE, shift rod	1	
13	09280-13005	O RING	1	
14	09205-03021	SPRING PIN	1	
15	25215-96301	STOPPER, shift rod guide	1	
16	09139-04004	SCREW	2	
17	09205-02004	SPRING PIN	1	
18-1	25311-96302	CAM, shift	1	~410485
18-2	25311-96303	CAM, shift	1	410486~
19	23311-94300	TURNBUCKLE, clutch rod	1	
20	23131-94300	BOOT, clutch rod	1	

FIG.9 (C- 3) CLUTCH

FIG.9



Q'TY

REMARKS

REF.NO.	PART NO.	DESCRIPTION	Q'TY	REMARKS
21	21111-96301-02M	LEVER, clutch	1	
22	09103-06093	BOLT (6x20)	1	
23	09260-10005	STEEL BALL	1	
24	09440-07021	SPRING	1	
25	09306-10001	BUSH	2	
26	09160-05010	WASHER (5.5x10x0.8)	1	
27	21120-96301	PLATE, clutch notch	1	
28	09204-01002	COTTER PIN	2	
29	09164-05002	WASHER	2	
30	21241-96300	ROD, clutch arm	1	
31	25231-96301	SPACER, magnet	1	
32	25232-96301	MAGNET	1	
33	21121-93300	PLATE, clutch notch	1	

FIG.10

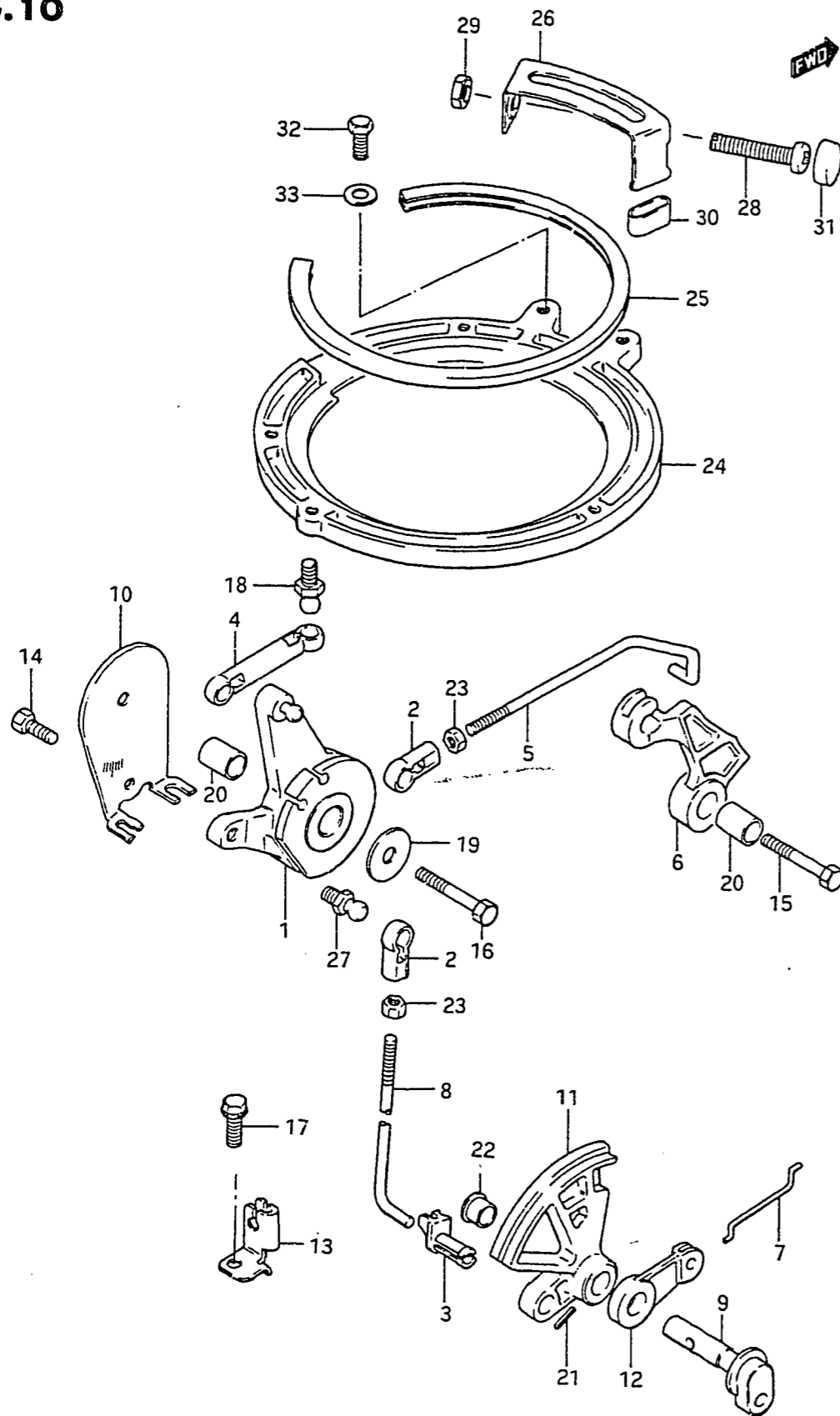


FIG.10 (C- 4) THROTTLE CONTROL

REF.NO.	PART NO.	DESCRIPTION	Q'TY	REMARKS
1	19121-96301	LEVER, throttle control	1	
2	19131-95501	CONNECTOR, throttle lever	2	
3	19131-96300	RETAINER, rod connector	1	
4	19132-95500	CONNECTOR	1	
5	19135-96301	ROD	1	
6	19141-96301	CAM, throttle	1	
7	19654-96300	ROD	1	
8	19656-96300	ROD	1	
9-1	19720-96301-02M	SHAFT, remo-con throttle	1	~411014
9-2	19720-96302	SHAFT, remo-con throttle	1	411015~
10	19761-96300	STAY, throttle cable	1	
11	19811-96301-02M	LIMITTER, throttle	1	
12	19851-96301	LEVER, NSI	1	
13	19861-96301	STAY, NSI cable	1	
14	09100-06018	BOLT (6x12)	1	
15	09100-06083	BOLT (6x30)	1	
16	09100-06083	BOLT (6x30)	1	
17	09103-06049	BOLT (6x12)	1	
18	09119-05010	BOLT	1	
19	09160-06046	WASHER (6.5x20x1.5)	3	
20	09180-06105	SPACER (6.1x10x14)	2	
21	09205-04002	SPRING PIN	1	
22	09306-10001	BUSH	1	
23	08310-11058	NUT	2	
24	19151-96300-02M	RETAINER, stator	1	
25	19161-94301	SPACER, stator	1	
26	19172-96301	STOPPER, stator	1	
27	09119-05010	BOLT	1	
28	09139-06015	SCREW	1	
29	09140-06004	NUT	1	
30	09320-07006	CUSHION	1	
31	09329-06002	CUSHION	1	
32	01107-05108	BOLT	2	
33	08322-21058	WASHER	2	

FIG. 11

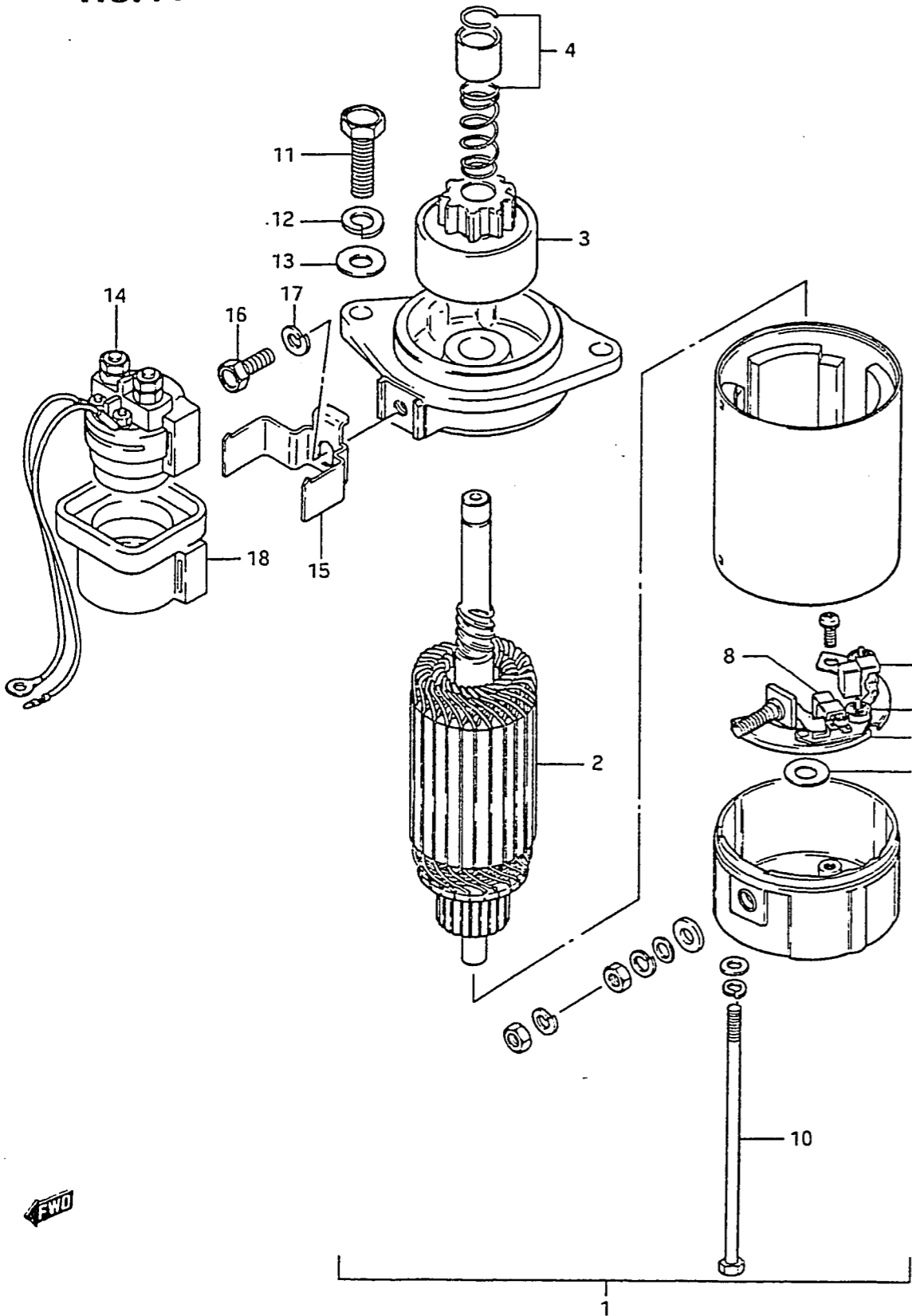


FIG.11 (C- 5) STARTING MOTOR

REF.NO.	PART NO.	DESCRIPTION	Q'TY	REMARKS
1-1	31100-96310	MOTOR ASSY, starter	1	model QD
1-2	31100-96311	MOTOR ASSY, starter	1	model VE/VF
2	31310-96300	.ARMATURE	1	
3	31320-96300	.PINION	1	
4	31312-96300	.STOPPER SET, pinion	1	
5	31360-96300	.WASHER	1	
6-1	31173-96300	.HOLDER ASSY, brush	1	model QD
6-2	31173-96301	.HOLDER ASSY, brush	1	model VE/VF
7	31131-96300	..BRUSH (+)	1	
8	31132-96300	..BRUSH (-)	1	
9	31135-96300	..SPRING	2	
10	31281-93340	.BOLT	2	
11	01107-08258	BOLT	2	
12	08321-21088	LOCK WASHER	2	
13	08322-11088	WASHER	2	
14-1	31800-95502	RELAY, starter	1	model QD
14-2	31800-94400	RELAY, starter	1	model VE/VF
15	31805-96350	BRACKET, starter relay	1	
16	01107-06208	BOLT	1	
17	08321-21067	LOCK WASHER	1	
18	38422-94510	DAMPER, starter relay	1	

FIG.12

15

FIG.12 (C- 6) MAGNETO

Q'TY

REMARKS

REF.NO.	PART NO.	DESCRIPTION	Q'TY	REMARKS
1-1	32101-96300	STATOR ASSY	1	model QD/VE
1-2	32101-96340	STATOR ASSY	1	model VF
2	32120-96300	.COIL, lighting	1	
3	02112-05257	.SCREW	2	
4	08321-21057	.LOCK WASHER	2	
5	32140-96300	.COIL, ignition	1	
6	02112-05208	.SCREW	2	
7	08321-21057	.LOCK WASHER	2	
8-1	32150-96300	.SENSOR, ignition	1	model QD/VE
8-2	32150-96310	.SENSOR, ignition	1	model VF
9	02112-04128	.SCREW	2	
10	08321-21047	.LOCK WASHER	2	
11-1	32102-96310	FLYWHEEL	1	model QD/VE
11-2	32102-96380	FLYWHEEL	1	model VF
12	02122-05128	SCREW	3	
13	08341-31049	KEY	1	
14	09160-18011	WASHER (18.5x35x4)	1	
15	08310-22188	NUT	1	

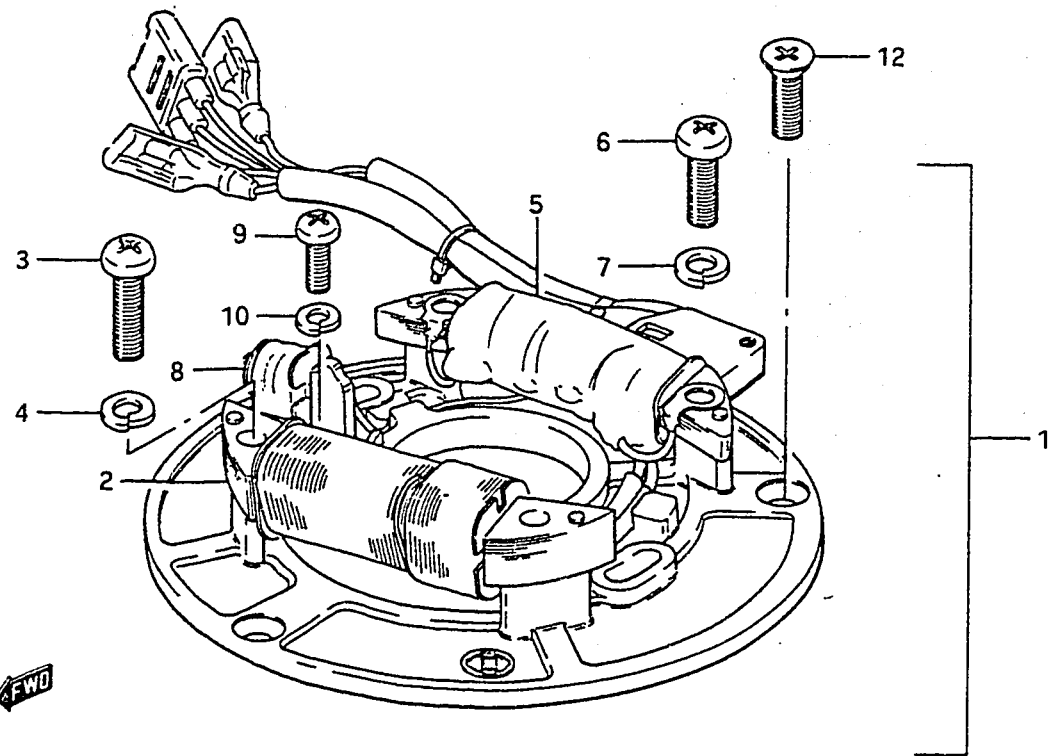
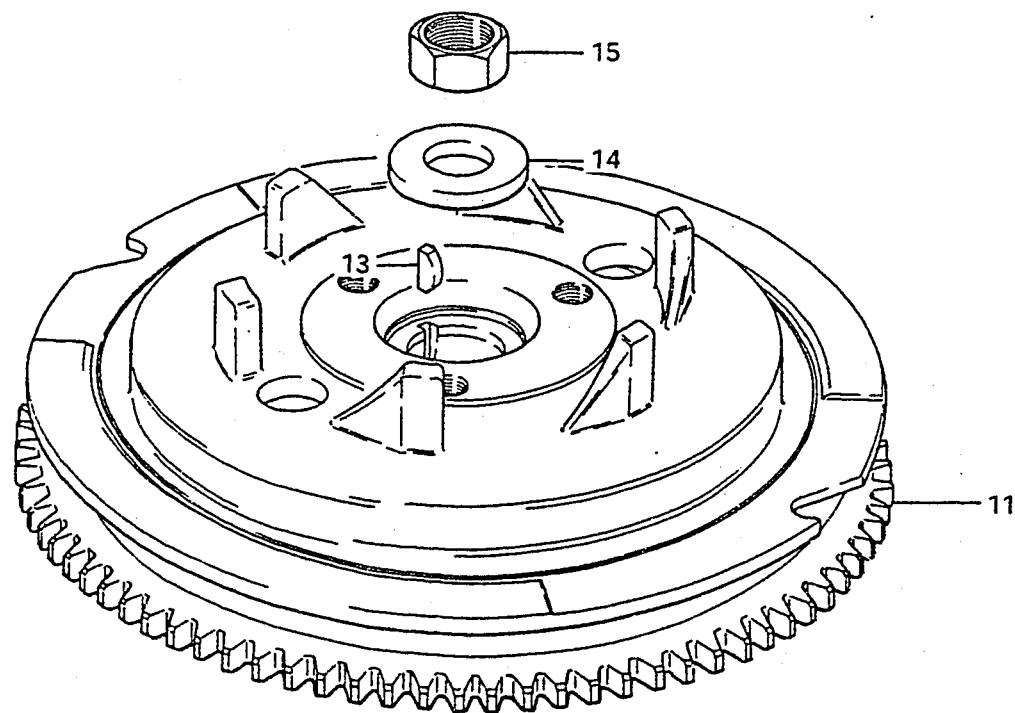
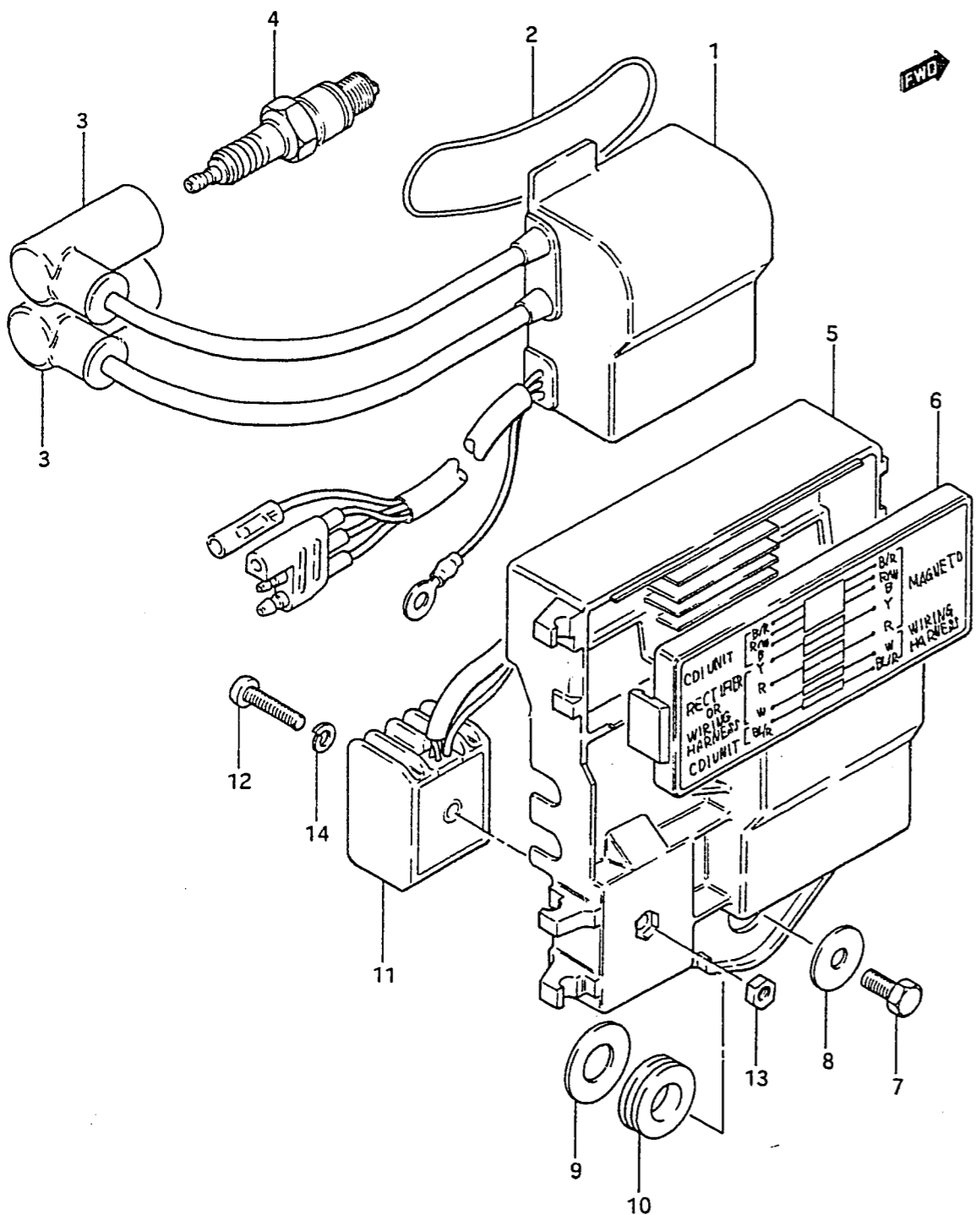


FIG.13 (C- 7) IGNITION

FIG.13



REF.NO.	PART NO.	DESCRIPTION	Q'TY	REMARKS
1-1	32900-96300	CDI. UNIT / IGNITION COIL ASSY	1	model QD/VE
1-2	32900-96340	CDI. UNIT / IGNITION COIL ASSY	1	model VF
2	09280-62001	O RING	1	
3	33510-95510	CAP, spark plug	2	
4-1	09482-00277	SPARK PLUG (BR7HS)	2	model QD
4-2	09482-00269	SPARK PLUG (B7HS)	2	model VE/VF.
5-1	32890-96300	HOLDER, electric parts	1	~307250
5-2	32890-96301	HOLDER, electric parts	1	307251~
6	36650-96300	COVER, junction box	1	
7	01107-06128	BOLT	3	
8	09160-06054	WASHER	3	
9	09160-12056	WASHER (12.5x26x1.6)	3	
10	09320-12011	CUSHION	3	
11	32800-95720	RECTIFIER	1	ELECTRIC STARTER
12	02112-05257	SCREW	1	ELECTRIC STARTER
13	08310-11058	NUT	1	ELECTRIC STARTER
14	08321-21057	LOCK WASHER	1	ELECTRIC STARTER

FIG. 14

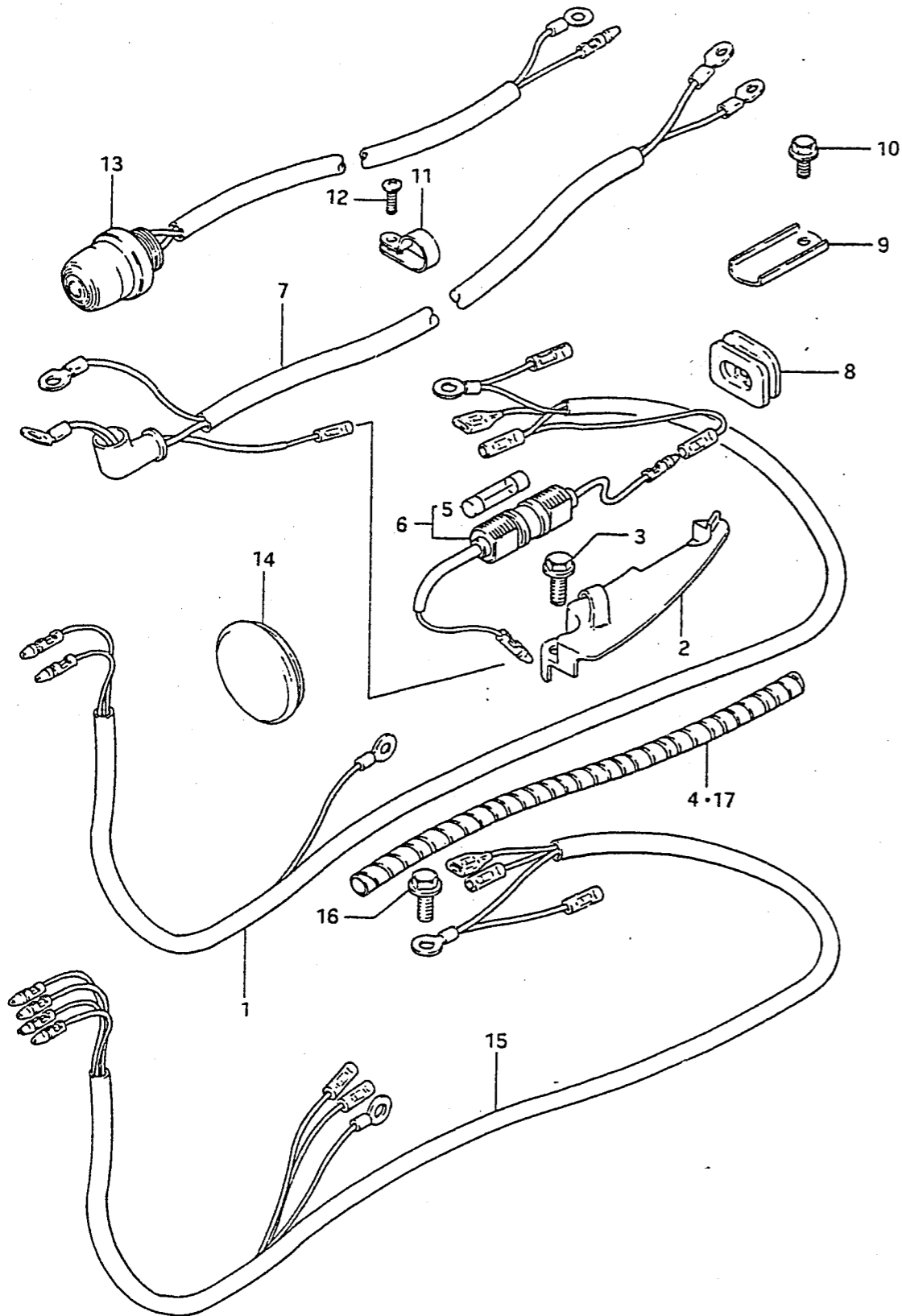
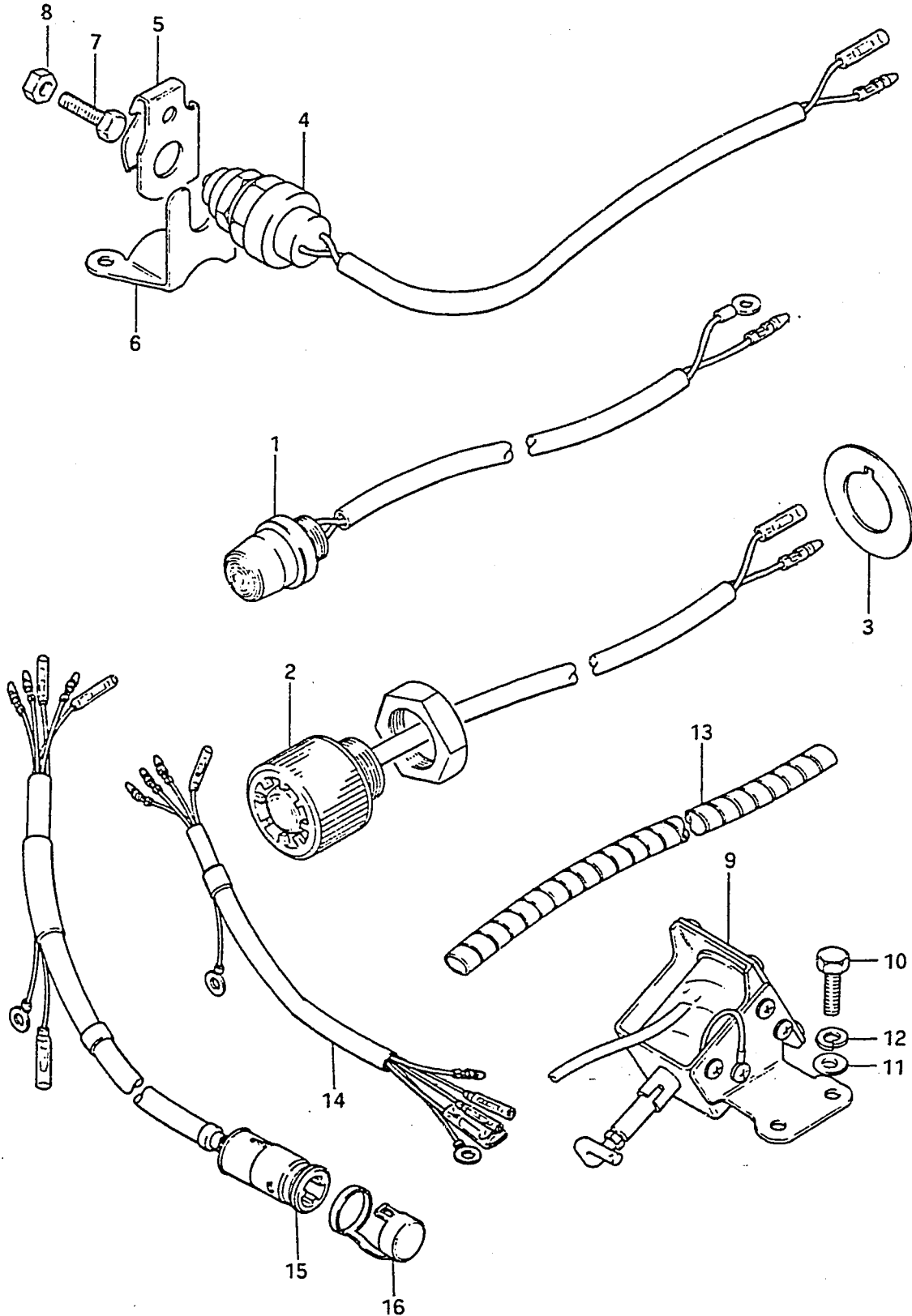


FIG.14 (C- 8) ELECTRICAL

REF.NO.	PART NO.	DESCRIPTION	Q'TY	REMARKS
1	36610-96302	WIRING HARNESS	1	ELECTRIC STARTER
2-1	36619-96303	COVER, wiring harness	1	model QD
2-2	36619-96304	COVER, wiring harness	1	model VE/VF
3	09103-06050	BOLT (6x16)	2	
4	38423-95501	TUBE, wiring harness	1	
5	36740-95252	FUSE CASE ASSY	1	
6	09481-20001	.FUSE (20A)	1	
7-1	33810-96304	CABLE, starter	1	~410755
7-2	33810-96305	CABLE, starter	1	410756~
8	33811-96300	GROMMET, starter cable	1	
9	33815-94500	PROTECTOR, cable	1	
10	09103-06049	BOLT	1	
11	33816-96300	CLAMP, starter cable	1	
12	03242-06259	SCREW	1	
13	37800-96350	SWITCH ASSY, stop	1	
14	09250-30003	CAP	1	MANUAL STARTER
15	36699-96302	WIRING HARNESS	1	
16	09103-06049	BOLT (6x12)	1	
17	38423-95500	TUBE, wiring harness	1	

FIG.15



REF.NO.	PART NO.	DESCRIPTION	Q'TY	REMARKS
1	37800-96350	SWITCH, stop	1	model VF:OPT
2	37160-96310	SWITCH, start	1	model VF:OPT
3	37142-94300	WASHER, ignition switch	2	model VF:OPT
4	37721-96352	SWITCH, neutral	1	
5	37725-95300	ACTUATOR, neutral switch	1	
6	37726-96301	BRACKET, neutral switch	1	
7	09100-05104	BOLT	1	
8	09140-05001	NUT	1	
9	38600-96301	SOLENOID, choke	1	model VF STD
10	09100-05004	BOLT (5x12)	2	
11	09160-05010	WASHER (5.5x10x0.8)	2	
12	09162-05002	LOCK WASHER	2	
13	38423-95501	TUBE, wiring harness (6x150)	1	
14	36630-96310	WIRING HARNESS, remo-con 1	1	
15	36630-96321	WIRING HARNESS, remo-con 2	1	
16	36631-94300	.CAP	1	

FIG.16 (D- 2) CLAMP BRACKET

Q'TY

REMARKS

REF.NO.	PART NO.	DESCRIPTION	Q'TY	REMARKS
1-1	41110-96304-02M	BRACKET, clamp STBD	1	~409073
1-2	41110-96305-02M	BRACKET, clamp STBD	1	409074~
2-1	41120-96320-02M	BRACKET, clamp PORT	1	~409073
2-2	41120-96321-02M	BRACKET, clamp PORT	1	409074~411086
2-3	41120-96340-02M	BRACKET, clamp PORT	1	511087~
3	41212-93000-02M	HANDLE, clamp	2	
4	09380-12002	SNAP RING	1	
5	09205-06012	SPRING PIN	2	
6	09303-14002	BUSH	1	
7-1	41211-93002	SCREW, clamp (L:78)	2	OPT
7-2	41211-93702	SCREW, clamp (L:90)	2	
7-3	41211-93712	SCREW, clamp (L:68)	2	OPT
8	41222-96310	PIN, tilt stopper	1	
9	41213-98100	PLATE, clamp	2	
10	41221-96300	KNOB, tilt stopper	1	
11-1	09140-08003	NUT	2	model QD
11-2	09140-08016	NUT	2	model VE/VF
12-1	09162-08003	LOCK WASHER	2	model QD
12-2	09162-08007	LOCK WASHER	2	model VE/VF
13-1	09160-08014	WASHER (8.5x23x1.5)	4	model QD
13-2	09160-08081	WASHER (8.5x23x1.5)	4	model VE/VF
14	09100-08199	BOLT (8x90)	2	
15	09180-09016	SPACER (9.2x13.8x9.5)	2	
16	09100-08196	BOLT (8x152)	1	
17	09180-09015	SPACER (9.2x13.8x116)	1	

FIG.16

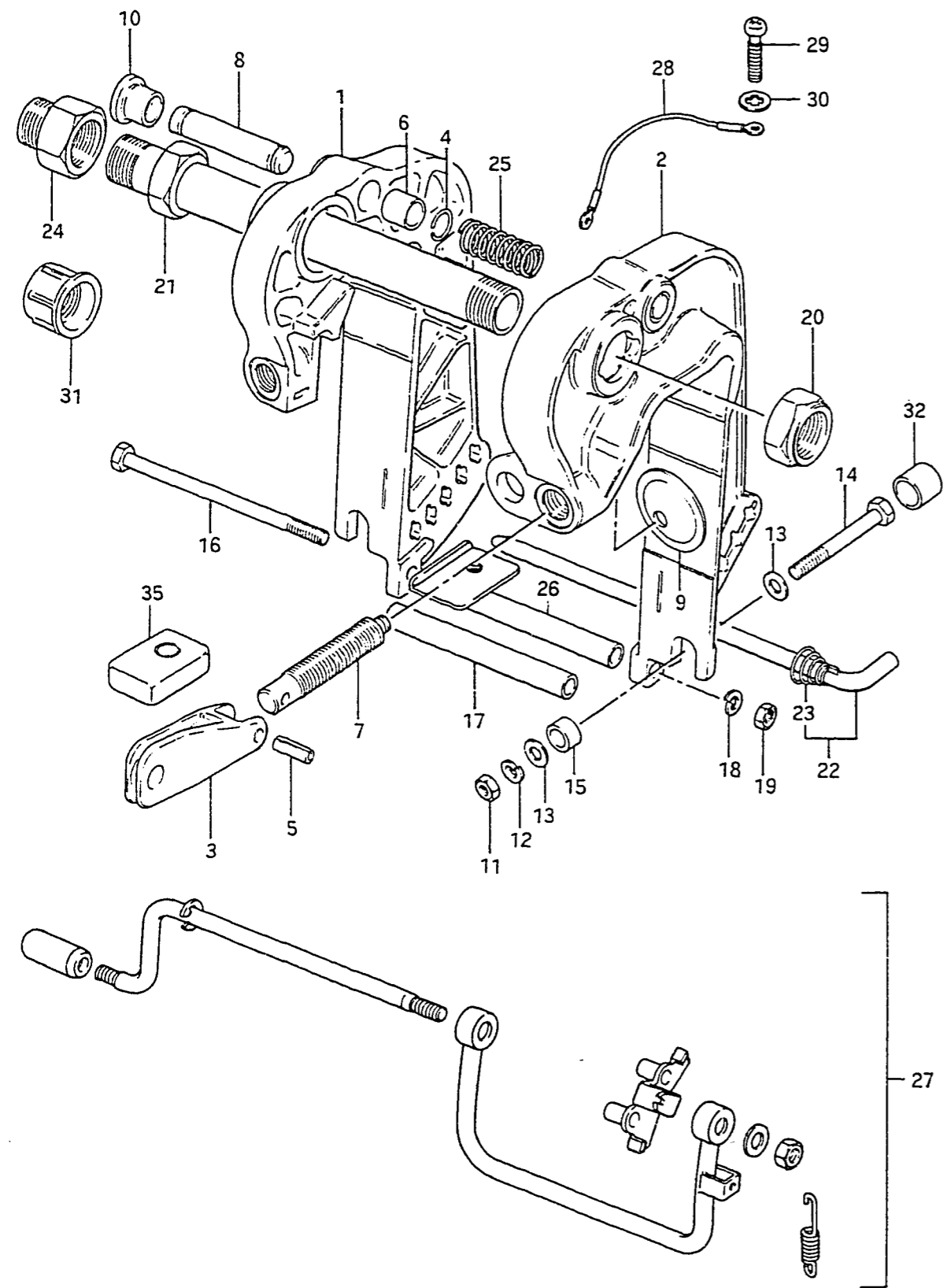


FIG. 16

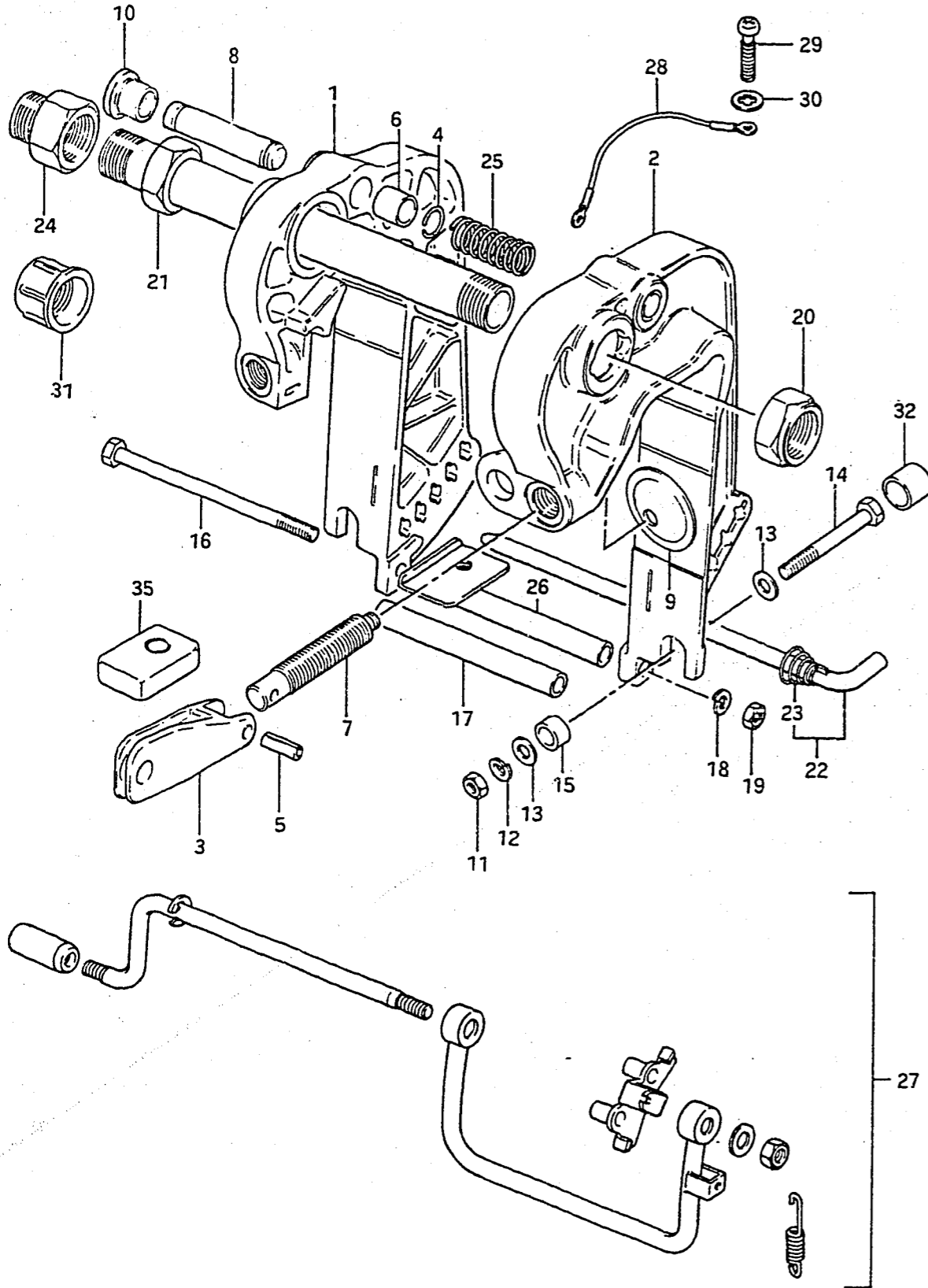


FIG.16 (0- 3) CLAMP BRACKET

REF.NO.	PART NO.	DESCRIPTION	Q'TY	REMARKS
18-1	09162-08003	LOCK WASHER	1	model QD
18-2	09162-08007	LOCK WASHER	1	model VE/VF
19-1	09140-08003	NUT	1	model QD
19-2	09140-08016	NUT	1	model VE/VF
20	09159-22004	NUT	1	
21-1	41130-96310	SHAFT, clamp bracket	1	~411086
21-2	41130-96330	SHAFT, clamp bracket	1	511087~
22	45420-96310	PIN, tilt lock	1	
23	09441-17001	.SPRING	1	
24	41141-94300	ATTACHMENT, steering cable	1	ELECTRIC STARTER,model QD
25	09440-14016	SPRING	1	
26	41310-96300	ROD, clamp bracket lower	1	511087~
27	45700-96300	SHALLOW DRIVE ASSY	1	model QD/VE:OPT
28	36894-95200	LEAD	1	511087~
29	09125-05050	SCREW	2	511087~
30	09161-05013	WASHER	2	511087~
31	41151-94500	CAP, bracket shaft	2	
32	41153-96300	CAP, transom bort	2	
33	55320-95310	ZINC SET, protection	1	

FIG.17

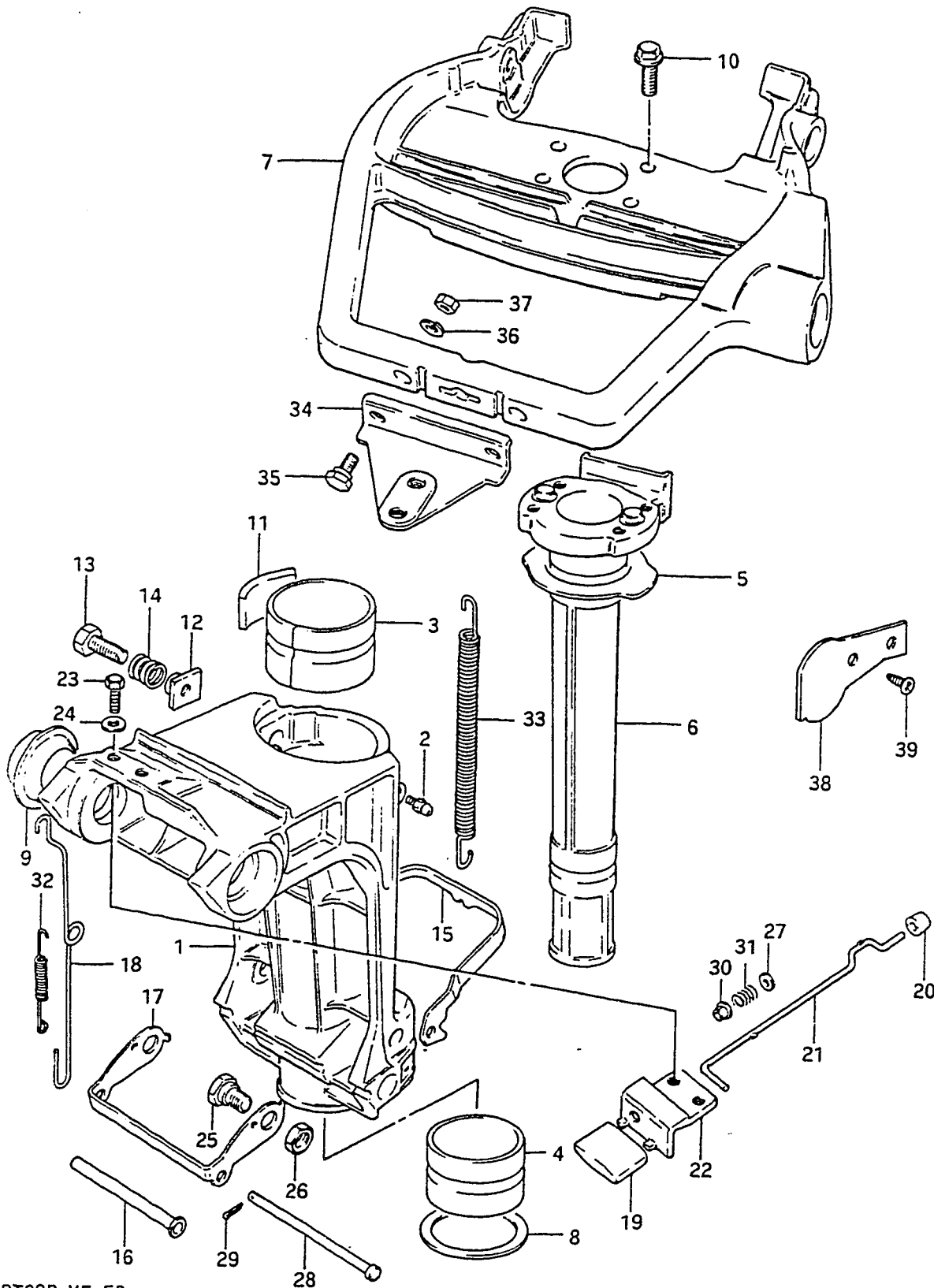


FIG.17 (D- 4) SWIVEL BRACKET

REF.NO.	PART NO.	DESCRIPTION	Q'TY	REMARKS
1-1	43111-96302-02M	BRACKET, swivel	1	~411086
1-2	43111-96310-02M	BRACKET, swivel	1	511087~
2	22511-99000	NIPPLE, clutch body	2	
3	43711-96301	BUSH, steering upper	1	
4	43712-96301	BUSH, steering under	1	
5	43721-96301	PLATE, upper bush	1	
6	43741-96302-02M	SHAFT, pilot	1	
7-1	43751-96321-02M	BRACKET, steering	1	RE3
7-2	43751-96303-02M	BRACKET, steering	1	
8	09160-40005	WASHER (40x58x2)	1	
9	09306-22004	BUSH	2	
10-1	01527-08208	BOLT	4	model QD
10-2	09103-08123	BOLT	4	model VE/VF
11-1	43410-93000	ADJUSTER, steering	1	~307511
11-2	43411-96300	ADJUSTER, steering	1	307512~
12	43421-96301	BUSH	1	
13	09119-08044	BOLT	1	
14	09440-13021	SPRING	1	
15-1	45231-96302	ARM, reverse lock	1	~409184
15-2	45231-96303	ARM, reverse lock	1	409185~
16-1	45246-96300	SPACER	1	~409073
16-2	45246-96301	SPACER	1	409074~
17	45241-96303	LINK, reverse lock arm	1	
18	45252-96302	LINK, release lever	1	
19	45255-96300	KNOB, release lever	1	
20	45257-96300	BUSH, release lever	1	

FIG.17

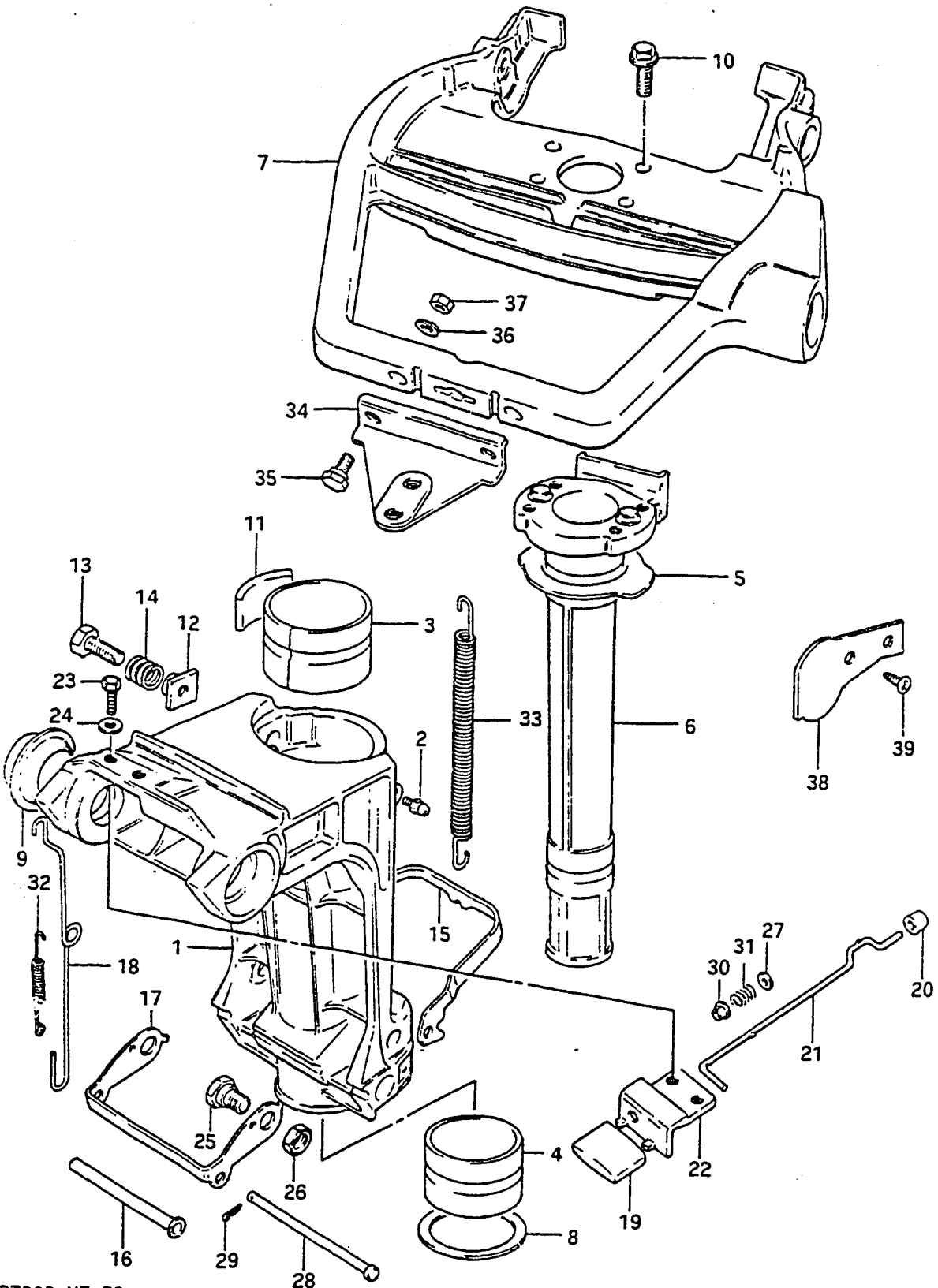
22

FIG.17 (D- 5) SWIVEL BRACKET

Q'TY

REMARKS

REF.NO.	PART NO.	DESCRIPTION	Q'TY	REMARKS
21	45260-96300	LEVER, release	1	
22	45311-96301-02M	BRACKET, release lever	1	
23-1	09100-05004	BOLT (5x12)	2	model QD
23-2	09100-05011	BOLT (5x12)	2	model VE/VF
24	09160-05010	WASHER	2	
25-1	09111-10025	BOLT	2	model QD
25-2	09111-10034	BOLT	2	model VE/VF
26	09140-10017	NUT	2	
27	09160-04012	WASHER (4.2x10x1)	1	
28	09200-05011	PIN	1	
29	09204-01001	COTTER PIN	1	
30	09319-04001	BUSH	1	
31	09440-04021	SPRING	1	
32	09443-05013	SPRING	1	
33	09443-09016	SPRING	1	
34	43755-96301	ATTACHMENT, steering bracket	1	OPT
35	09100-08224	BOLT (8x35)	2	OPT
36	09162-08007	LOCK WASHER	2	OPT
37	09140-08016	NUT	2	OPT
38	43754-94301-02M	COVER, steering	1	model VF:OPT
39	09132-05024	SCREW	2	model VF:OPT



DT30R VF E3

Revised 12/10/84

DT30R VF E3

Revised 12/10/84

D5

FIG.18

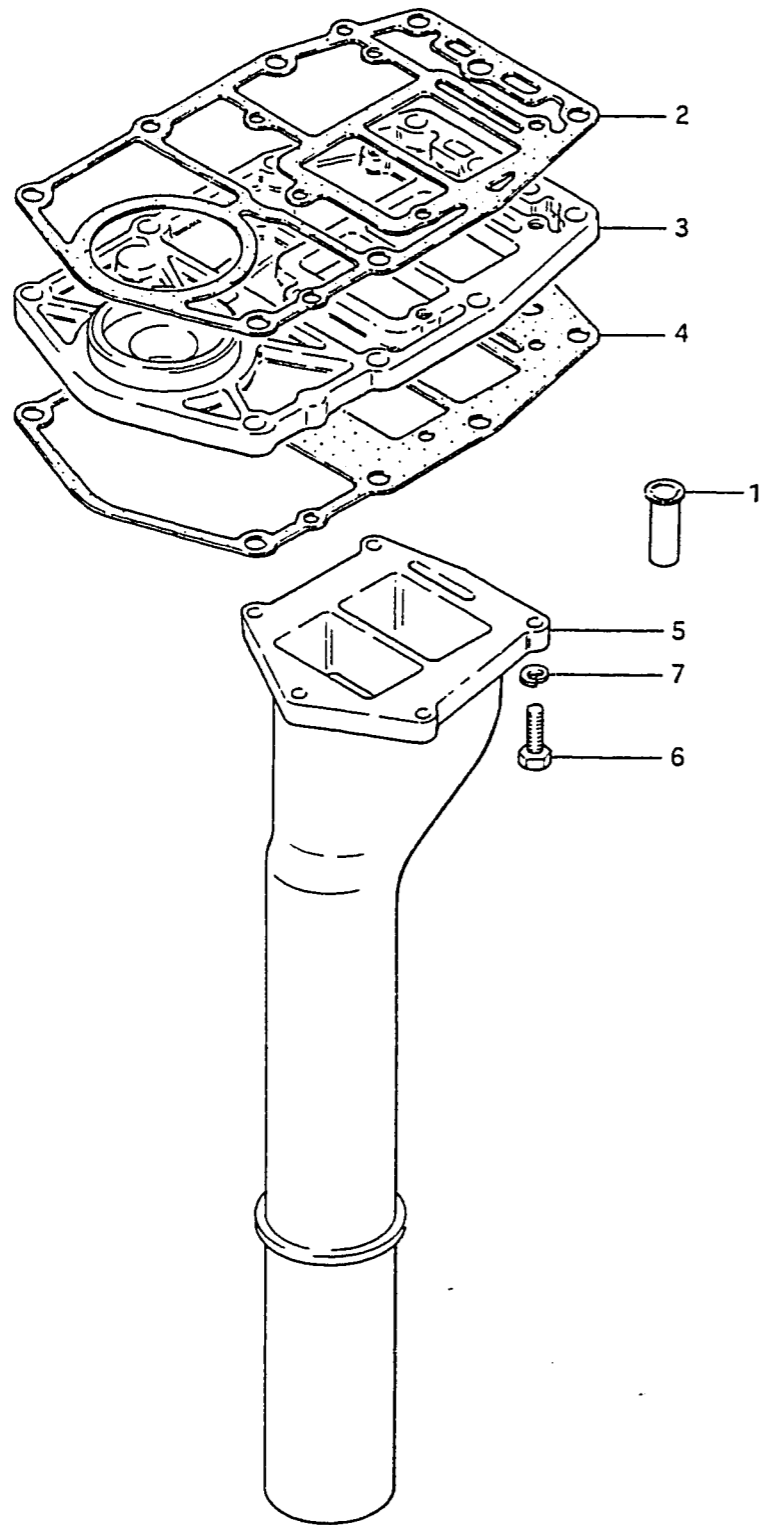
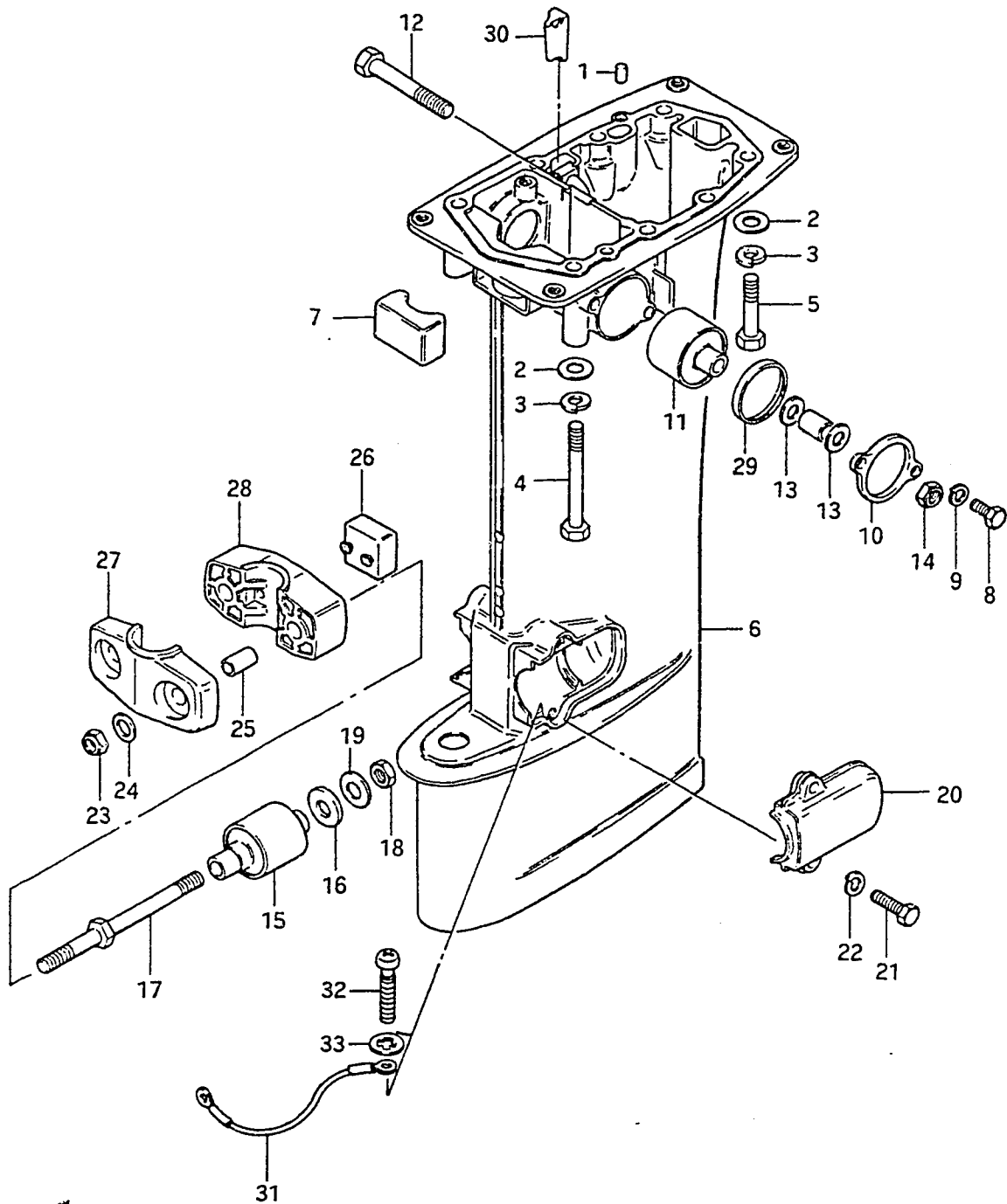


FIG.18 (D- 6) EXHAUST TUBE

REF.NO.	PART NO.	DESCRIPTION	Q'TY	REMARKS
1	11435-96300	PIPE, exhaust release	1	
2	11433-96302	GASKET, lower oil seal housing	1	
3-1	11431-96303	HOUSING, under oil seal	1	~407946
3-2	11431-96304	HOUSING, under oil seal	1	407947~411086
3-3	11431-96310	HOUSING, under oil seal	1	511087~
4-1	52113-96302	GASKET, drive shaft housing	1	~407946
4-2	52113-96303	GASKET, drive shaft housing	1	407947~411086
4-3	52113-96304	GASKET, drive shaft housing	1	511087~
5-1	14211-96301	TUBE, exhaust (L)	1	~308016
5-2	14211-96302	TUBE, exhaust (L)	1	308017~411086
5-3	14211-96330	TUBE, exhaust (L)	1	511087~
5-4	14211-96310	TUBE, exhaust (S)	1	~308016
5-5	14211-96311	TUBE, exhaust (S)	1	308017~411086
5-6	14211-96340	TUBE, exhaust (S)	1	511087~
6-1	09100-06022	BOLT (6x35)	5	model QD
6-2	09100-06117	BOLT (6x35)	5	model VE/VF
7	09162-06001	LOCK WASHER	5	model VE/VF

←FWO

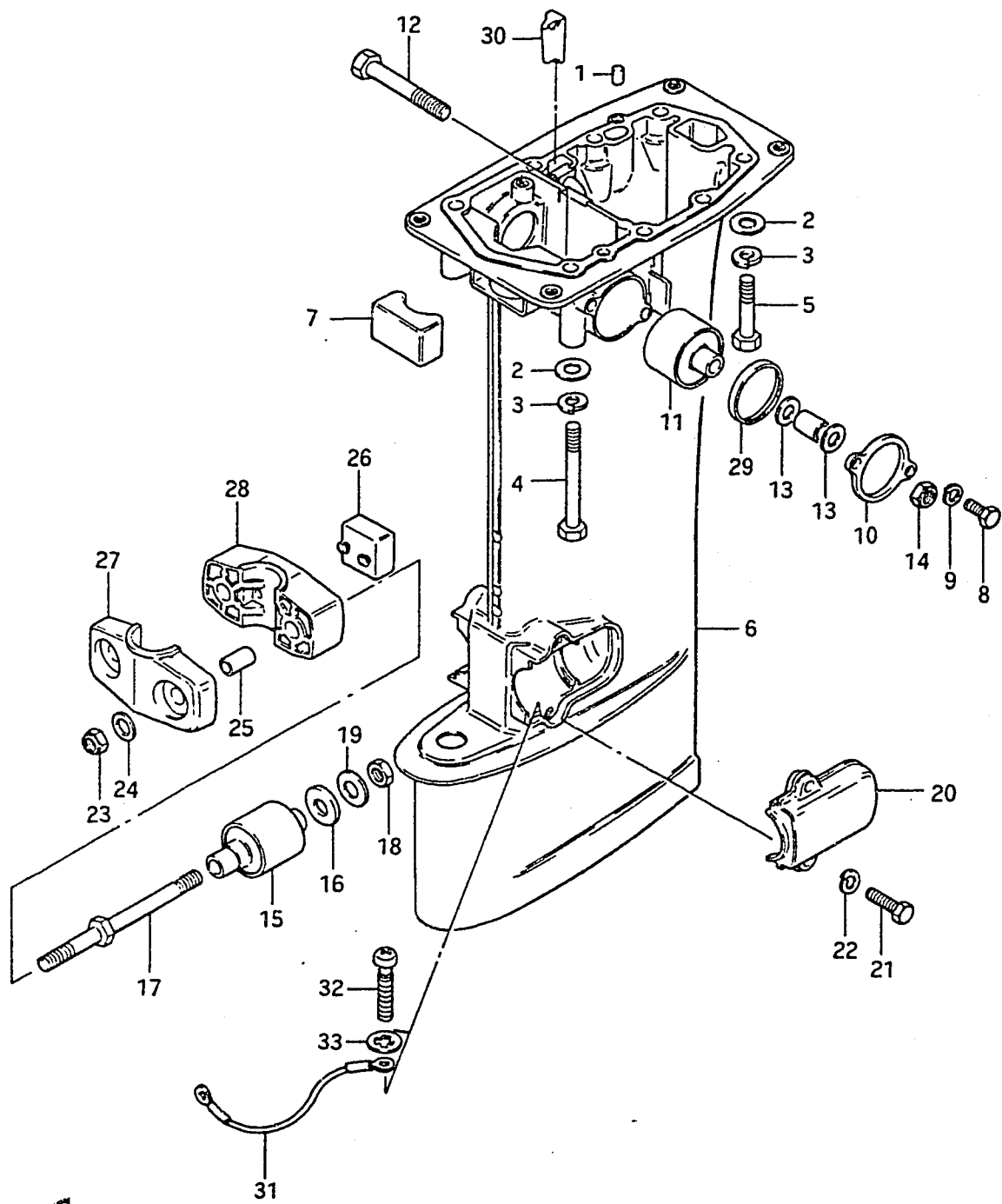


Q'TY

REMARKS

REF.NO.	PART NO.	DESCRIPTION	Q'TY	REMARKS
1	09202-06015	PIN	2	
2	09160-08015	WASHER	8	
3	09162-08003	LOCK WASHER	8	
4	09100-08203	BOLT (8x85)	4	
5	09100-08204	BOLT (8x50)	4	
6-1	52111-96311-02M	HOUSING, drive shaft (S)	1	~308016
6-2	52111-96312-02M	HOUSING, drive shaft (S)	1	308017~409073
6-3	52111-96313-02M	HOUSING, drive shaft (S)	1	409074~411086
6-4	52111-96320-02M	HOUSING, drive shaft (S)	1	511087~
6-5	52111-96301-02M	HOUSING, drive shaft (L)	1	~308016
6-6	52111-96302-02M	HOUSING, drive shaft (L)	1	308017~409173
6-7	52111-96303-02M	HOUSING, drive shaft (L)	1	409174~411086
6-8	52111-96330-02M	HOUSING, drive shaft (L)	1	511087~
7	54121-96300	MOUNTING, upper thrust reverse	1	
8	09100-06102	BOLT	4	
9	09162-06001	LOCK WASHER	4	
10	54137-96301-02M	COVER, upper mounting	2	
11	54130-96300	MOUNTING, upper	2	
12	09100-10176	BOLT (10x75)	2	
13-1	09160-10040	WASHER (10.5x19x2)	4	model QD
13-2	09160-10082	WASHER (10.5x19x2)	4	model VE/VF
14	09159-10050	NUT	2	
15	54160-96300	MOUNTING, lower	2	
16	54165-96300	DAMPER, reverse stopper	2	
17	54166-96301	BOLT, lower mounting	2	

FIG.19



25

FIG.19 (D- 8) DRIVESHAFT HOUSING

REF.NO.	PART NO.	DESCRIPTION	Q'TY	REMARKS
18	09140-10032	NUT	2	
19	09160-10083	WASHER (10.5x30x3.2)	2	
20	54221-96301-02M	COVER, lower mounting	2	
21	09100-06104	BOLT	4	
22	09162-06001	LOCK WASHER	4	
23	09159-10050	NUT	2	
24-1	09160-10040	WASHER (10.5x19x2)	2	model QD
24-2	09160-10082	WASHER (10.5x19x2)	2	model VE/VF
25	09180-10075	SPACER (10.1x13.8x19)	2	
26	54151-96300	MOUNTING, lower thrust	1	
27-1	54211-96302-02M	BRACKET, lower mount foward	1	~411086
27-2	54211-96310-02M	BRACKET, lower mount foward	1	511087~
28	54212-96302-02M	BRACKET, lower mount aft	1	
29	54138-96300	SLEEVE, upper mounting	2	
30	17568-96300	PLUG	1	
31	36894-95200	LEAD	1	
32	09125-05050	SCREW	2	
33	09161-05013	WASHER	2	

FIG. 20

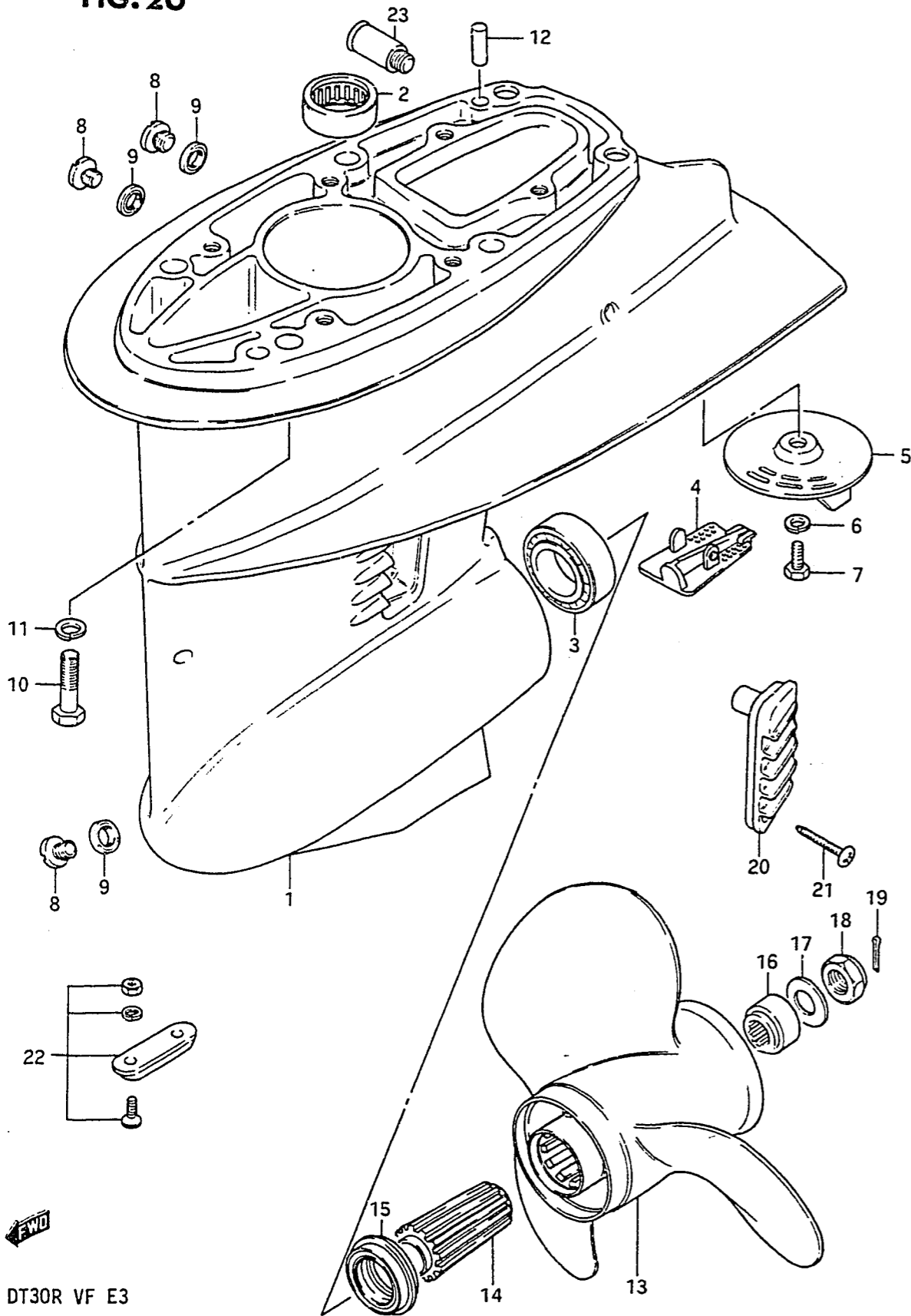
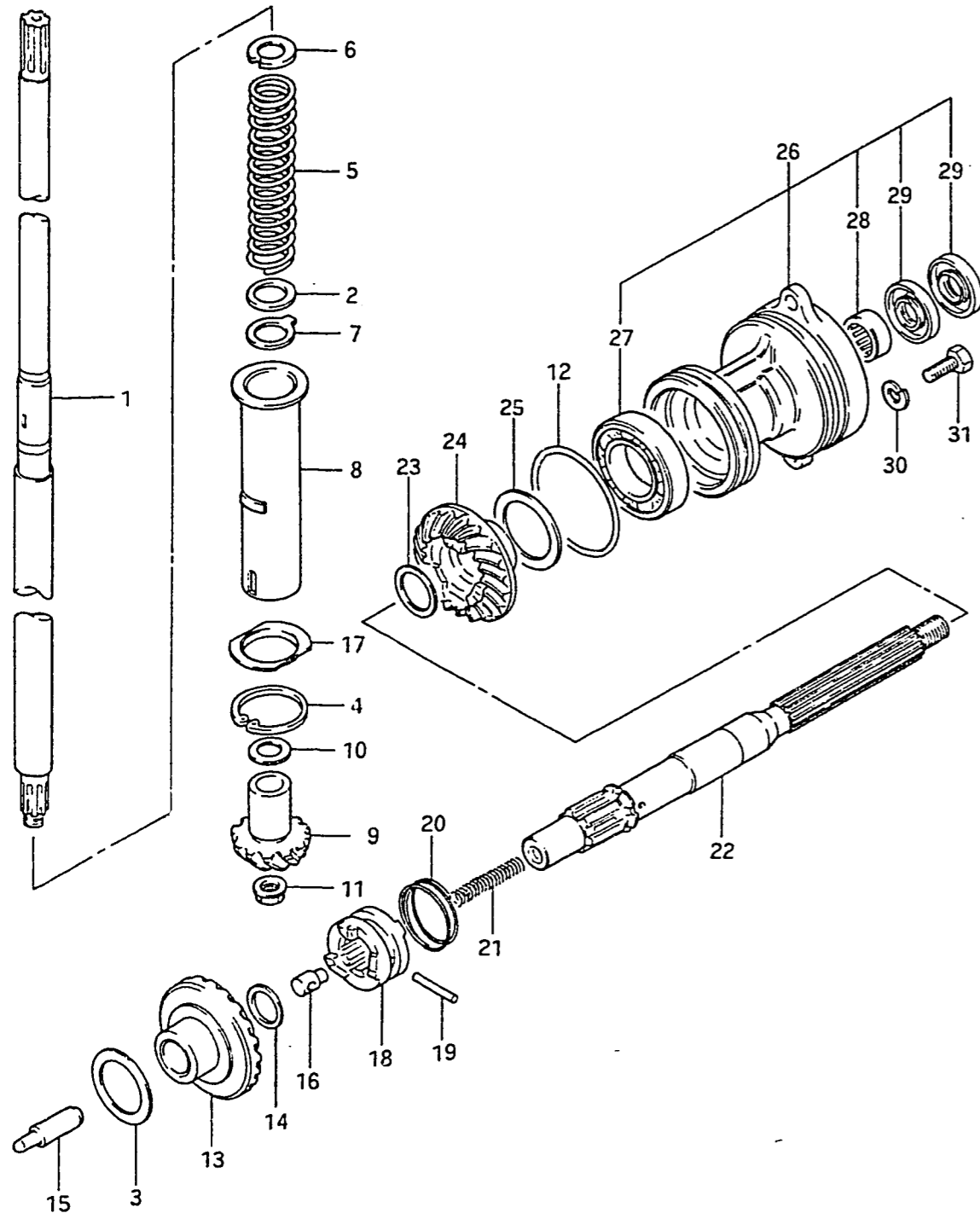


FIG.20 (D- 9) GEAR CASE

REF.NO.	PART NO.	DESCRIPTION	Q'TY	REMARKS
1	55100-96301-02M	CASE ASSY, gear	1	
2	09263-20046	.BEARING (20.63x26.98x25.4)	1	
3	09265-25015	.BEARING	1	
4	55114-96301	.COVER, gear case	1	
5-1	55125-96301	TRIM TAB	1	model QD
5-2	55125-96302	TRIM TAB	1	model VE/VF
6	09162-08003	LOCK WASHER	1	
7-1	09100-08139	BOLT (8x20)	1	model QD
7-2	09100-08215	BOLT (8x20)	1	model VE/VF
8-1	09248-10004	PLUG	3	~307511
8-2	09248-10005	PLUG	3	307512~
9	09168-10022	GASKET (10x17x1.5)	3	
10	09100-08224	BOLT (8x35)	6	
11	09162-08003	LOCK WASHER	6	
12	09202-06015	PIN	2	
13-1	58110-96301-01T	PROPELLER (3x10-1/4x9)	1	P900
13-2	58110-96312-01T	PROPELLER (3x10-1/4x10)	1	P1000
13-3	58110-96321-01T	PROPELLER (3x10-1/4x11)	1	P1100
13-4	58110-96331-01T	PROPELLER (3x10-1/4x12)	1	P1200,(L TYPE:STD)
13-5	58110-96341-01T	PROPELLER (3x10-1/4x13)	1	P1300,(S TYPE:STD)
13-6	58110-96351-01T	PROPELLER (3x10-1/4x14)	1	P1400
13-7	58110-96361-01T	PROPELLER (3x10-1/4x15)	1	P1500
14	58120-96313	BUSH	1	
15	57632-96312	STOPPER, propeller bush	1	
16	57633-96300	SPACER	1	
17	09160-14028	WASHER (14.5x30x2.5)	1	
18	09159-14011	NUT	1	
19	09204-03001	COTTER PIN	1	
20-1	17631-96300	FILTER, water	2	~408716
20-2	17631-96301	FILTER, water	2	408717~
21	03142-04259	TAPPING SCREW	2	
22	55300-95500	ZINC, propeller	1	OPT
23	55181-95200	ATTACHMENT, flush hose	1	OPT

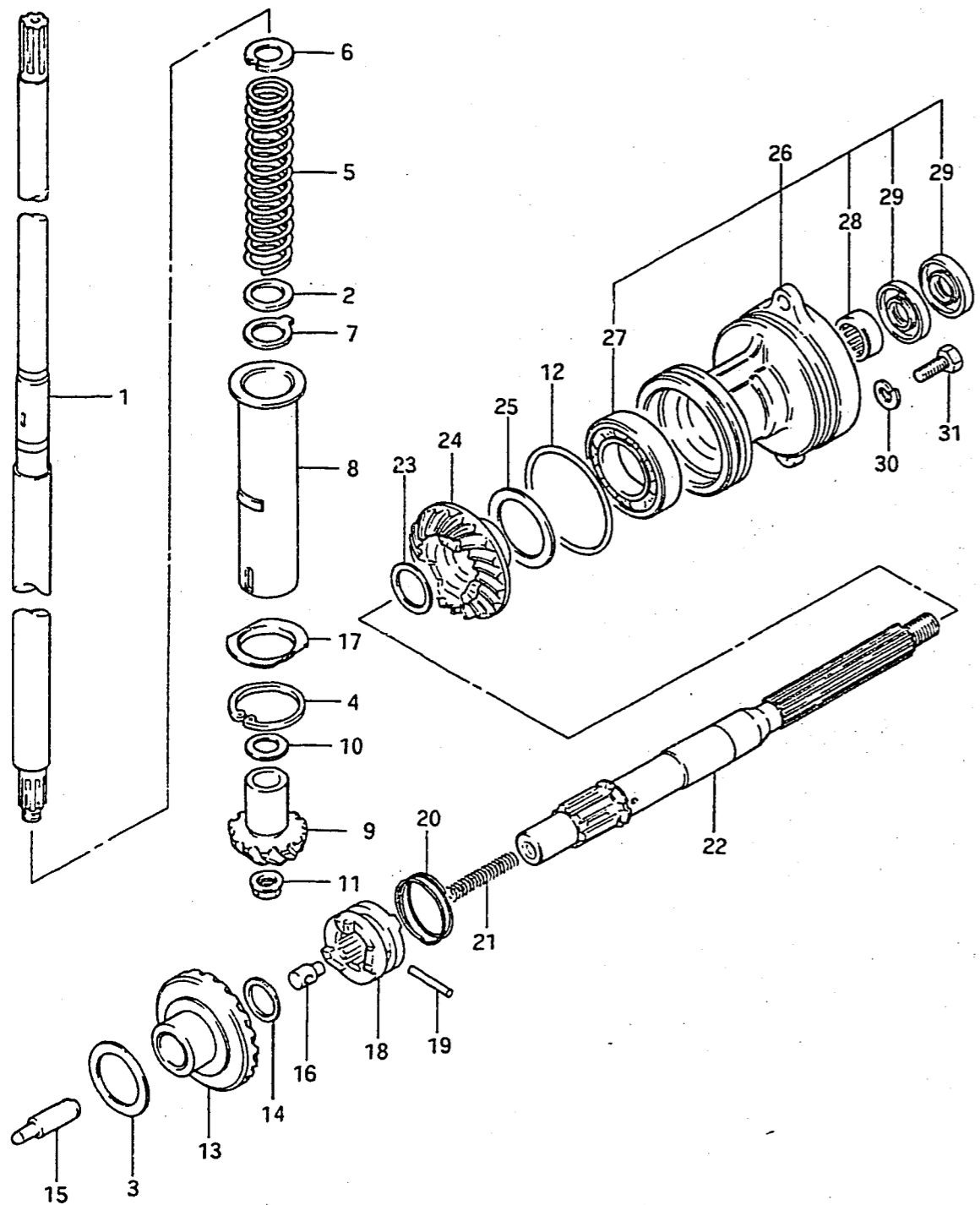
FIG. 21

FIG. 21 (D-10) TRANSMISSION



REF.NO.	PART NO.	DESCRIPTION	Q'TY	REMARKS
1-1	57110-96311	SHAFT, drive (S)	1	
1-2	57110-96301	SHAFT, drive (L)	1	
2	08211-20253	THRUST WASHER	1	
3-1	08221-25366	WASHER (T:0.8)	1	
3-2	09181-25022	WASHER (T:0.9)	1	
3-3	08211-25401	WASHER (T:1.0)	0~1	
3-4	09160-25032	WASHER (T:1.1)	0~1	
3-5	09160-25033	WASHER (T:1.2)	0~1	
3-6	09160-25034	WASHER (T:1.3)	0~1	
3-7	09160-25035	WASHER (T:1.4)	0~1	
3-8	08211-25402	WASHER (T:1.5)	0~1	
4	08331-21409	CIRCLIP	1	
5	09440-25002	SPRING	1	
6	09166-17005	WASHER	1	
7	09167-20021	WASHER	1	
8-1	57133-96301	COLLAR, preload spring	1	model QD
8-2	57133-96302	COLLAR, preload spring	1	model VE/VF
9	57311-96310	PINION	1	
10-1	09160-15030	WASHER (T:1.7)	0~1	
10-2	09160-15031	WASHER (T:1.8)	0~1	
10-3	09160-15032	WASHER (T:1.9)	0~1	
10-4	08211-15203	WASHER (T:2.0)	0~1	
10-5	09160-15033	WASHER (T:2.1)	0~1	
10-6	08211-15204	WASHER (T:2.2)	0~1	
11	09159-08046	NUT	1	
12	09280-75002	O RING	1	
13	57510-96310	GEAR, foward	1	
14	08211-16242	WASHER (T:1.5)	1	
15	57631-96301	ROD, push	1	
16	09209-08016	PIN	1	
17	57134-96301	BARRIER	1	

FIG. 21



28

FIG.21 (D-11) TRANSMISSION

REF.NO.	PART NO.	DESCRIPTION	Q'TY	REMARKS
18	57621-96300	SHIFTER, clutch dog	1	
19	09202-05021	PIN	1	
20	09440-35004	SPRING	1	
21	09440-07041	SPRING	1	
22-1	57610-96302	SHAFT, propeller	1	model QD
22-2	57610-96303	SHAFT, propeller	1	model VE/VF
23-1	08221-20256	WASHER (T:0.8)	0v1	
23-2	09160-20035	WASHER (T:0.9)	0v1	
23-3	08211-20251	WASHER (T:1.0)	0v1	
23-4	09160-20036	WASHER (T:1.1)	0v1	
23-5	09160-20037	WASHER (T:1.2)	0v1	
23-6	09160-20038	WASHER (T:1.3)	0v1	
24-1	57521-96310	GEAR, reverse	1	~409244
24-2	57521-96311	GEAR, reverse	1	409245~
25-1	08211-30401	THRUST WASHER (T:1)	0v1	
25-2	08221-30404	THRUST WASHER (T:0.2)	0v2	
25-3	08221-30405	THRUST WASHER (T:0.5)	0v1	
25-4	08221-30406	THRUST WASHER (T:0.8)	0v1	
26	56120-96301-02M	HOUSING, propeller shaft brg	1	
27	08113-60060	.BEARING	1	
28	09263-20047	.BEARING (20x26x20)	1	
29	09289-20009	.OIL SEAL (20x34x6.5)	2	
30	09162-06001	LOCK WASHER	2	
31	09100-06103	BOLT	2	

FIG.22

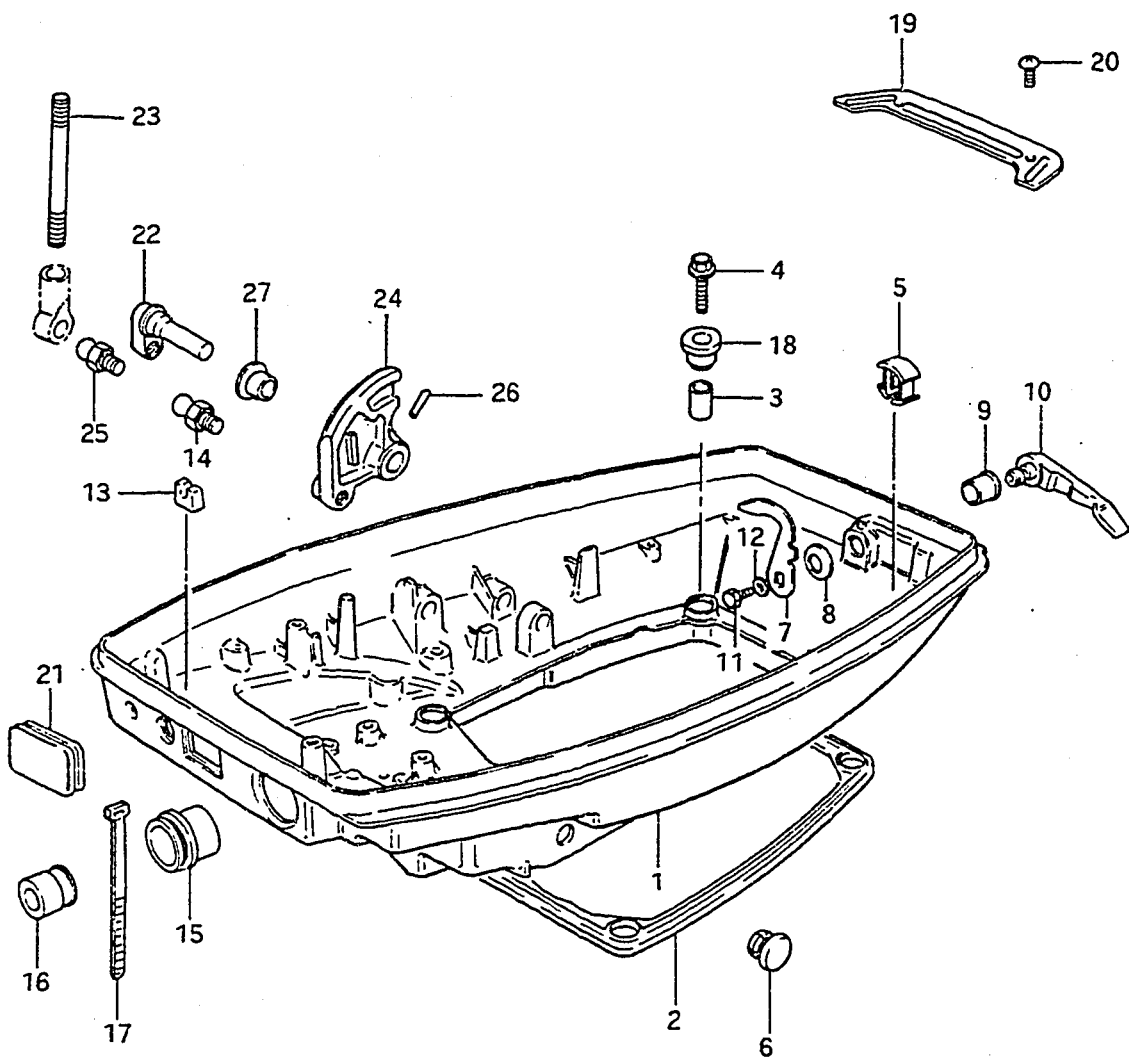


FIG.22 (E- 2) UNDER COVER

REF.NO.	PART NO.	DESCRIPTION	Q'TY	REMARKS
1-1	61110-96302-02M	COVER, engine under	1	~408123
1-2	61110-96303-02M	COVER, engine under	1	408124~409410
1-3	61110-96304-02M	COVER, engine under	1	409411~
2	61113-96300	SEAL, under cover	1	
3	09180-06112	SPACER (6.8x10x11.5)	4	
4	09103-06094	BOLT	4	
5	61139-96301	CAP, drain	2	~409410
6	09250-08007	CAP, cushion	2	
7-1	61631-96300	HOOK, under cover	1	~307511
7-2	61631-96301	HOOK, under cover	1	307512~
8	09164-13005	WASHER	1	
9	09306-13002	BUSH	1	
10	61633-96002-02M	LEVER, hook	1	
11	01107-06108	BOLT	1	
12	08322-21067	WASHER	1	
13	13625-94300	CAP, choke rod guide	1	
14	22511-99000	NIPPLE, clutch notch	1	
15	36612-94301	GROMMET, No.1	1	
16	36613-94300	GROMMET, No.2	1	
17	36632-95501	CLAMP	1	
18	09320-10031	CUSHION, under cover	4	
19	61138-96300	COVER, water	1	409411~
20	02142-06127	BOLT	2	409411~
21	63625-94300	CAP	1	model VF:STD
22-1	19720-96301-02M	SHAFT, remo-con throttle	1	~411014
22-2	19720-96302	SHAFT, remo-con throttle	1	411015~
23	67413-94300	ROD	1	
24	67417-94301-02M	ARM, remo-con throttle	1	
25	09119-05010	BALL PIVOT	1	
26	09205-04002	SPRING PIN	1	
27	09306-10001	BUSH	1	

FIG. 23

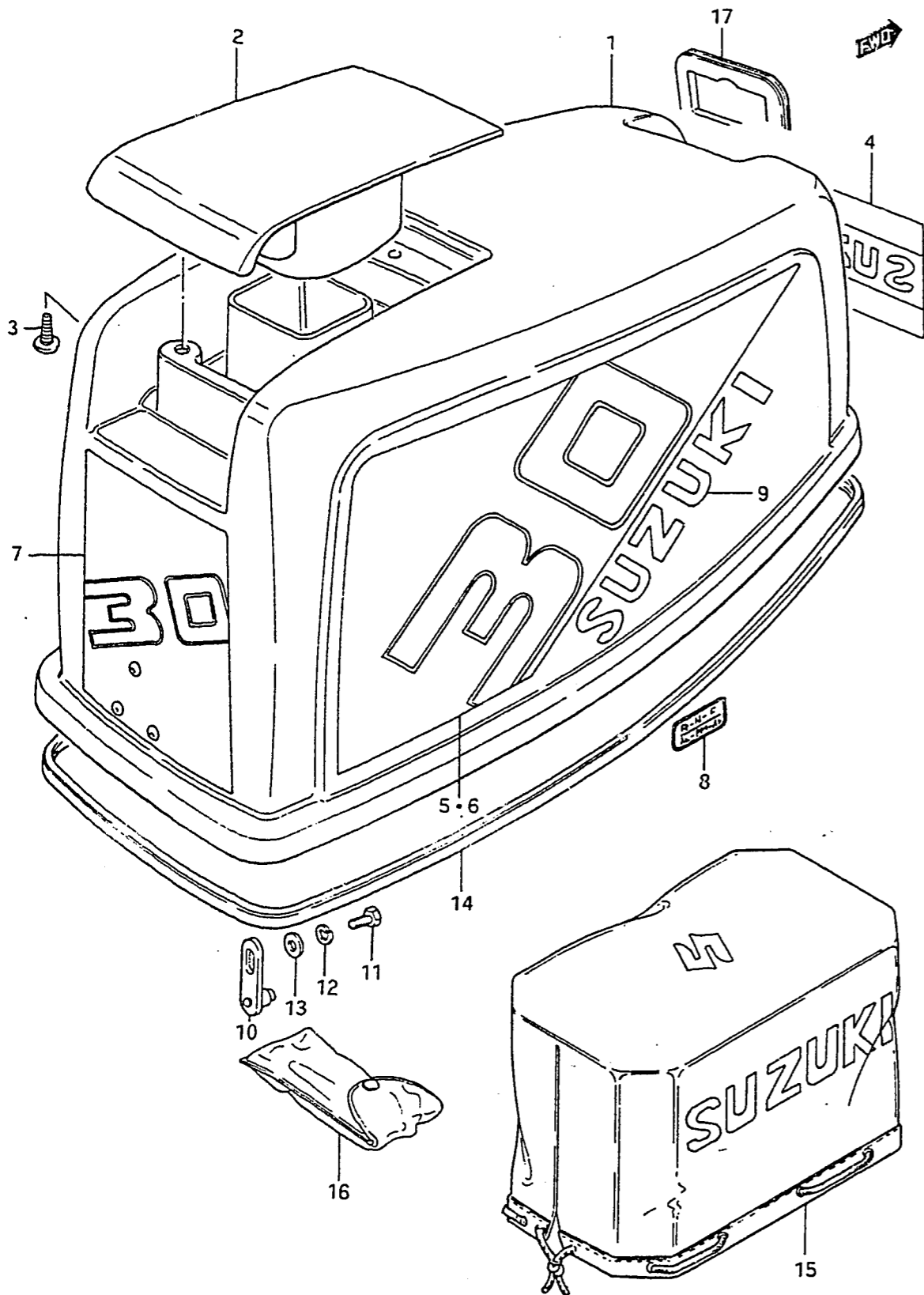


FIG. 23 (E- 3) ENGINE COVER

REF.NO.	PART NO.	DESCRIPTION	Q'TY	REMARKS
1	61400-96852-02M	COVER SET, engine	1	
2	61431-96301-02M	.HANDLE, tilt up	1	
3	03242-06169	.SCREW	3	
4	61422-96360	.MARK, emblem, front	1	
5	61443-96360	.DECAL, side STBD	1	
6	61453-96360	.DECAL, side PORT	1	
7	61435-96360	.EMBLEM, rear	1	
8	21131-96003	.MARK, clutch shift	1	
9	61441-96300	.EMBLEM, side	2	
10	61610-96301	.FASTENER	1	
11	01107-06128	.BOLT	1	
12	08321-21068	.LOCK WASHER	1	
13	08322-21068	.WASHER	1	
14	61112-96301	RUBBER, under cover	1	
15	68110-95210	COVER, weather	1	OPT
16	09800-81800	TOOL SET	1	
17	61622-96301	SEAL, rubber	1	

FIG. 24

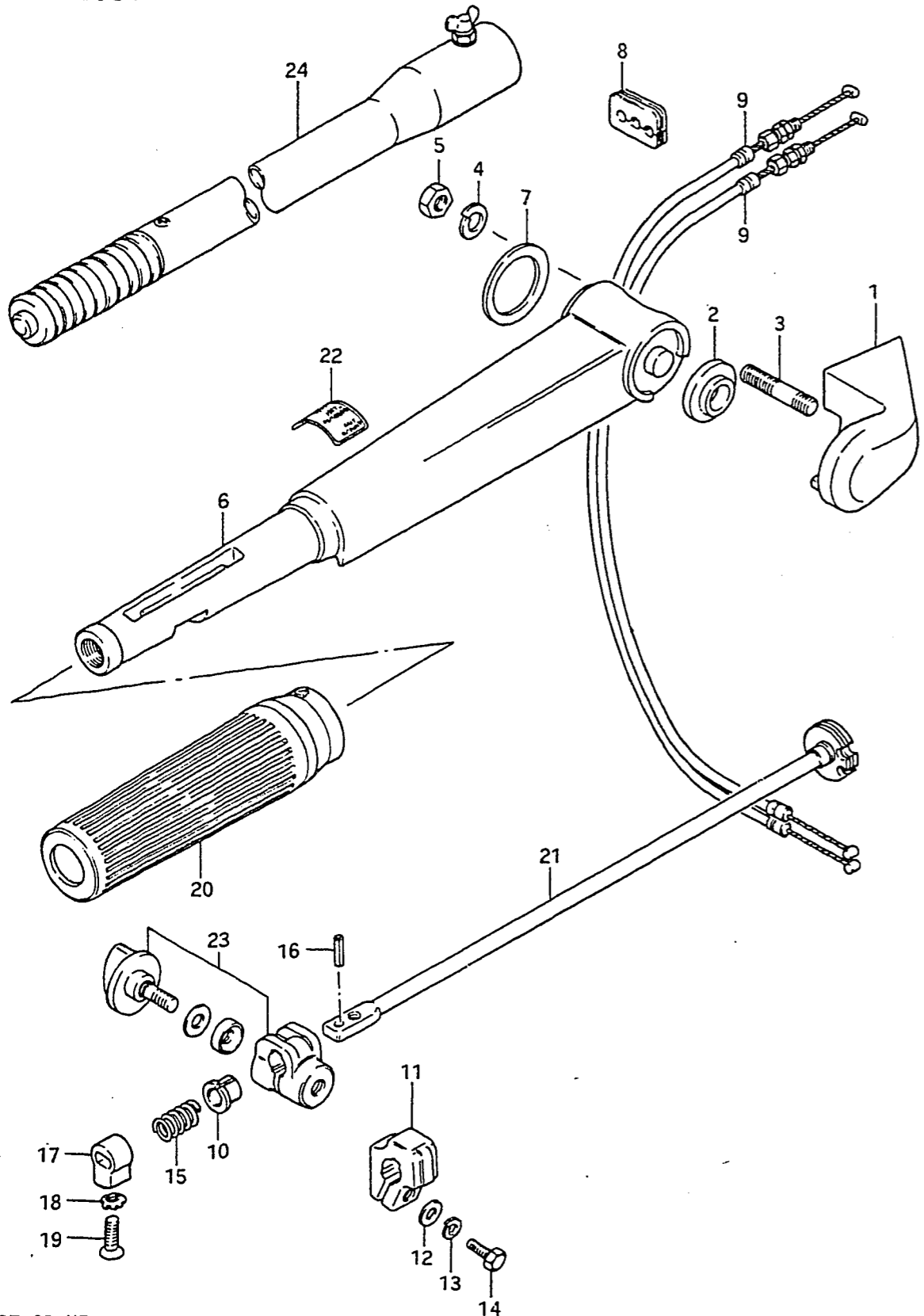


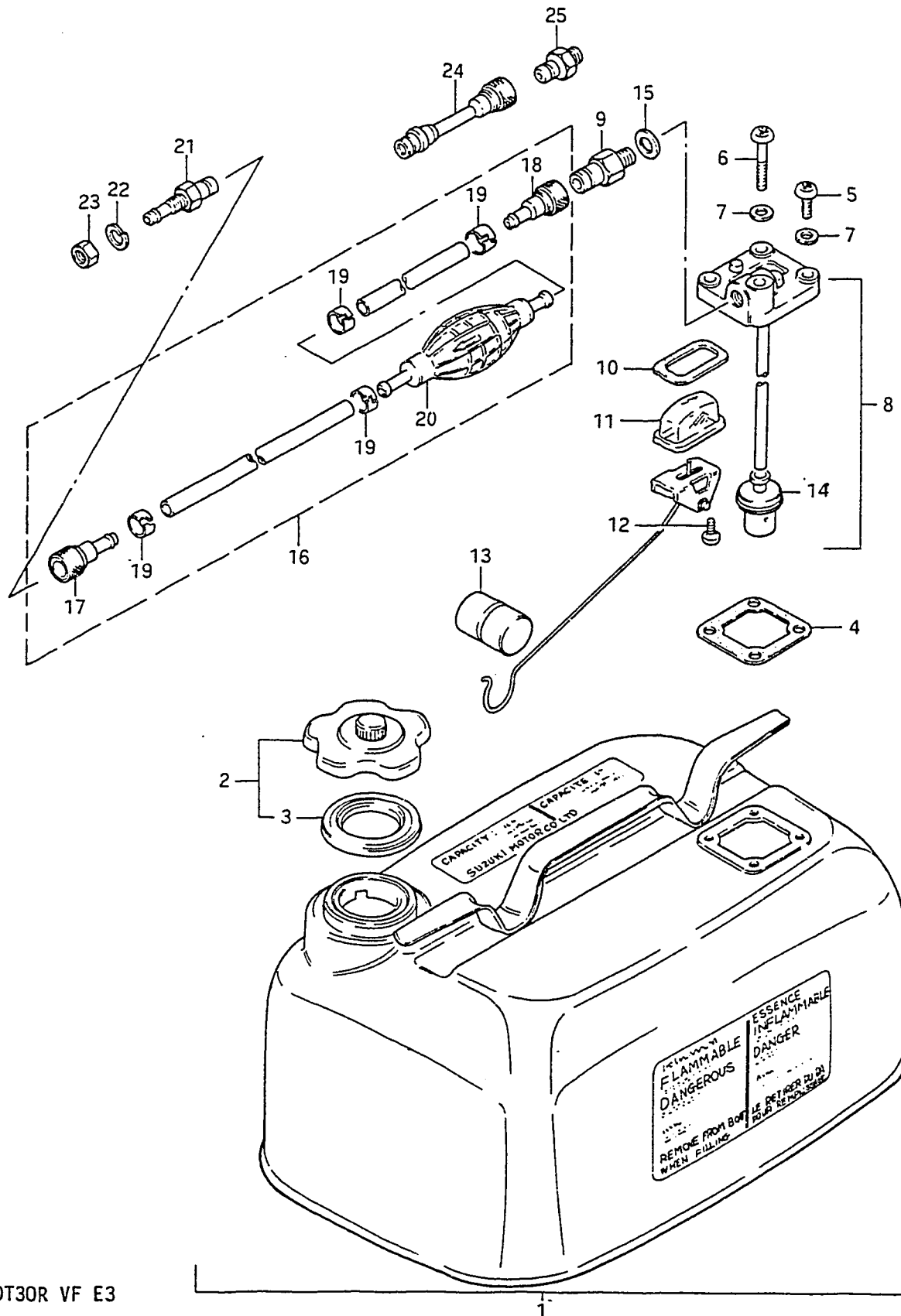
FIG.24 (E- 4) HANDLE

REF.NO.	PART NO.	DESCRIPTION	Q'TY	REMARKS
1	63121-96302-02M	COVER, tiller handle	1	
2	63114-94300	SPACER, handle cover	1	
3	09108-08147	STUD BOLT	2	
4	09162-08007	LOCK WASHER	2	
5	09140-08016	NUT	2	
6-1	63111-96301-02M	HANDLE, tiller	1	~411014
6-2	63111-96310-02M	HANDLE, tiller	1	411015~
7	63115-96301	SPACER	1	
8-1	09309-05008	GROMMET	1	
8-2	63625-96300	GROMMET	1	ELECTRIC START
9	63610-96301	CABLE, throttle	2	
10	63225-93200	BUSH, handle rod	1	
11	63241-94300	ADJUSTER, handle grip	1	~411014
12	09160-06015	WASHER (6.5x13x1)	1	~411014
13	09162-06001	LOCK WASHER	1	~411014
14	09100-06020	BOLT (6x20)	1	
15	09440-12027	SPRING	1	
16	63227-93200	PIN, handle rod (L:14)	1	
17	63223-93201	STOPPER, handle rod	1	
18	09163-06001	LOCK WASHER	1	
19	09126-06006	SCREW	1	
20	63210-93901	GRIP, handle	1	
21	63220-96300	ROD, handle	1	
22	63215-93400	MARK, handle	1	
23	63240-96300	ADJUSTER SET, handle grip	1	411015~
24	63300-93900	BAR ASSY, extension	1	OPT

* MODEL QD/VE : STD
 * MODEL VF : OPT

FIG. 25

FIG.25 (E- 5) FUEL TANK



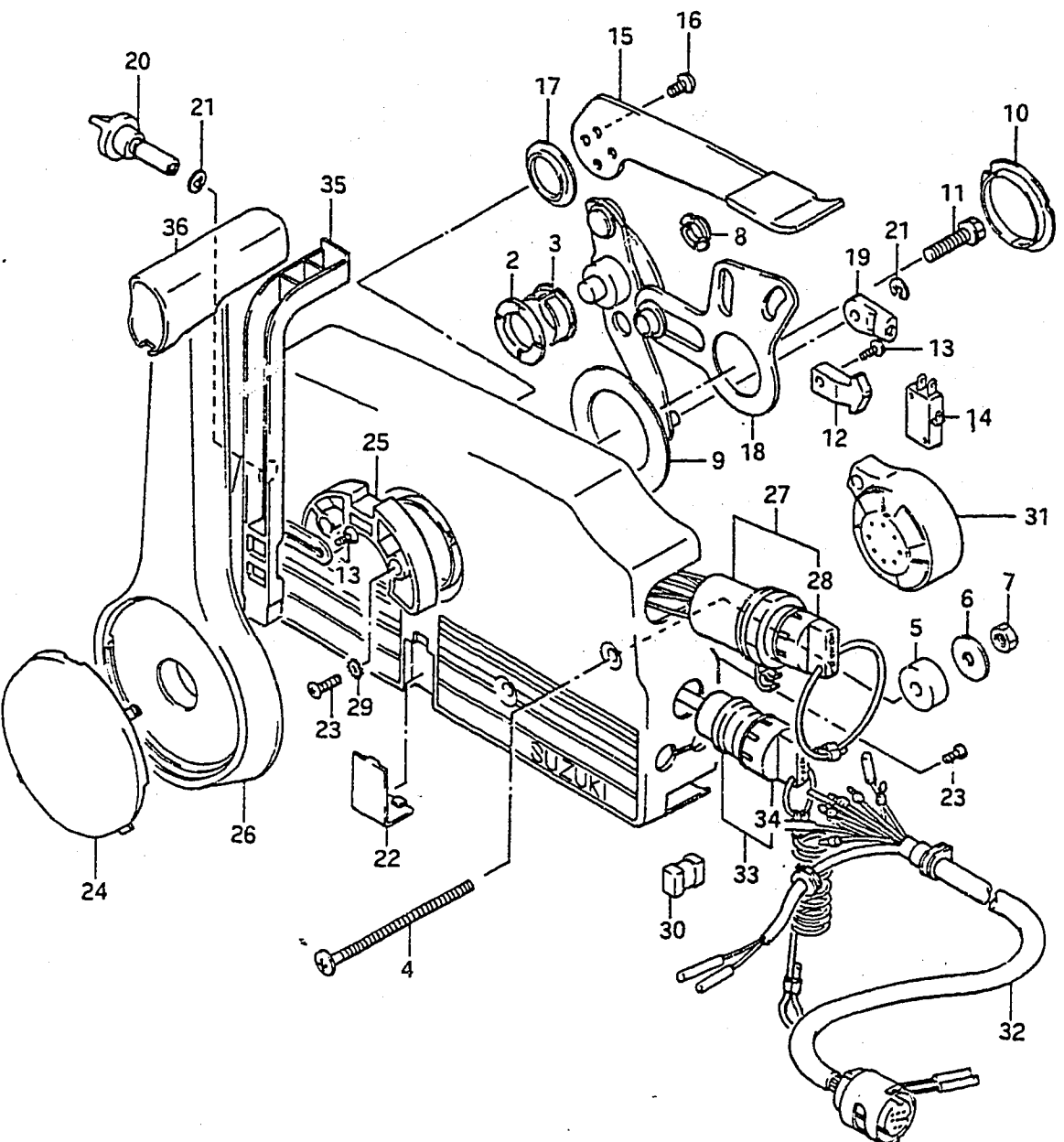
REF.NO.	PART NO.	DESCRIPTION	Q'TY	REMARKS
1	65000-95201	TANK SET, fuel (23 L)	1	6 US.GAL./ 5 IMP.GAL.
2	65510-98507	.CAP ASSY	1	
3	65561-98502	..GASKET	1	
4	65871-93010	.GASKET, fuel gauge	1	
5	02112-06168	.SCREW	3	
6	02112-06408	.SCREW	1	
7	09168-06002	.WASHER	4	
8	65850-95505	.GAUGE ASSY, fuel	1	
9	65740-95500	..CONNECTOR, male fuel	1	M12,00:13
10	65854-93001	..GASKET, strainer	1	
11	65853-93001	..STRAINER	1	
12	02112-04108	..SCREW	2	
13	65864-95200	..FLOAT	1	
14	65830-95500	..FILTER, outlet	1	
15	09168-12001	..GASKET (12.5x20x1)	1	
16	65700-95205	HOSE, fuel	1	
17	65750-98505	.CONNECTOR, female fuel	1	ID:11
18	65750-93000	.CONNECTOR, female fuel	1	ID:13
19	65781-98500	.CLIP	4	
20	65770-99702	.PUMP, squeeze	1	
21	65720-98520	CONNECTOR, male fuel	1	OD:11
22	08321-21108	LOCK WASHER	1	
23	08310-22108	NUT	1	
24	65700-95271	HOSE, fuel joint	1	OPT
25	65720-98590	CONNECTOR, male fuel	1	OPT, M12-11

FIG. 26

FIG.26 (E- 6) REMOTE CONTROL

Q'TY

REF.NO.	PART NO.	DESCRIPTION	Q'TY	REMARKS
1	67200-95660	REMOTE CONTROL BOX	1	STD:VF
2	67232-95600	.BUSH	1	
3	67232-95600	.BUSH	1	
4	67296-95600	.SCREW	3	
5	67294-95600	.SPACER	3	
6	67288-94310	.WASHER	3	
7	09140-06004	.NUT	3	
8	67232-95610	.BUSH	1	
9	67253-95600	.WASHER	1	
10	67252-95600	.BUSH	1	
11	09100-08232	.BOLT	1	
12	67214-95600	.ACTUATOR	1	
13	67296-94300	.SCREW	3	
14	37721-94600	.SWITCH, neutral	1	
15	67241-95650	.LEVER, free throt	1	
16	09126-05003	.SCREW	2	
17	67243-95600	.BUSH	1	
18	67220-95600	.PLATE ASSY	1	
19	67275-95600	.END, cable	2	
20	67223-95600	.KNOB, brake ADJ	1	



NA12S REMOTE CONTROL BOX

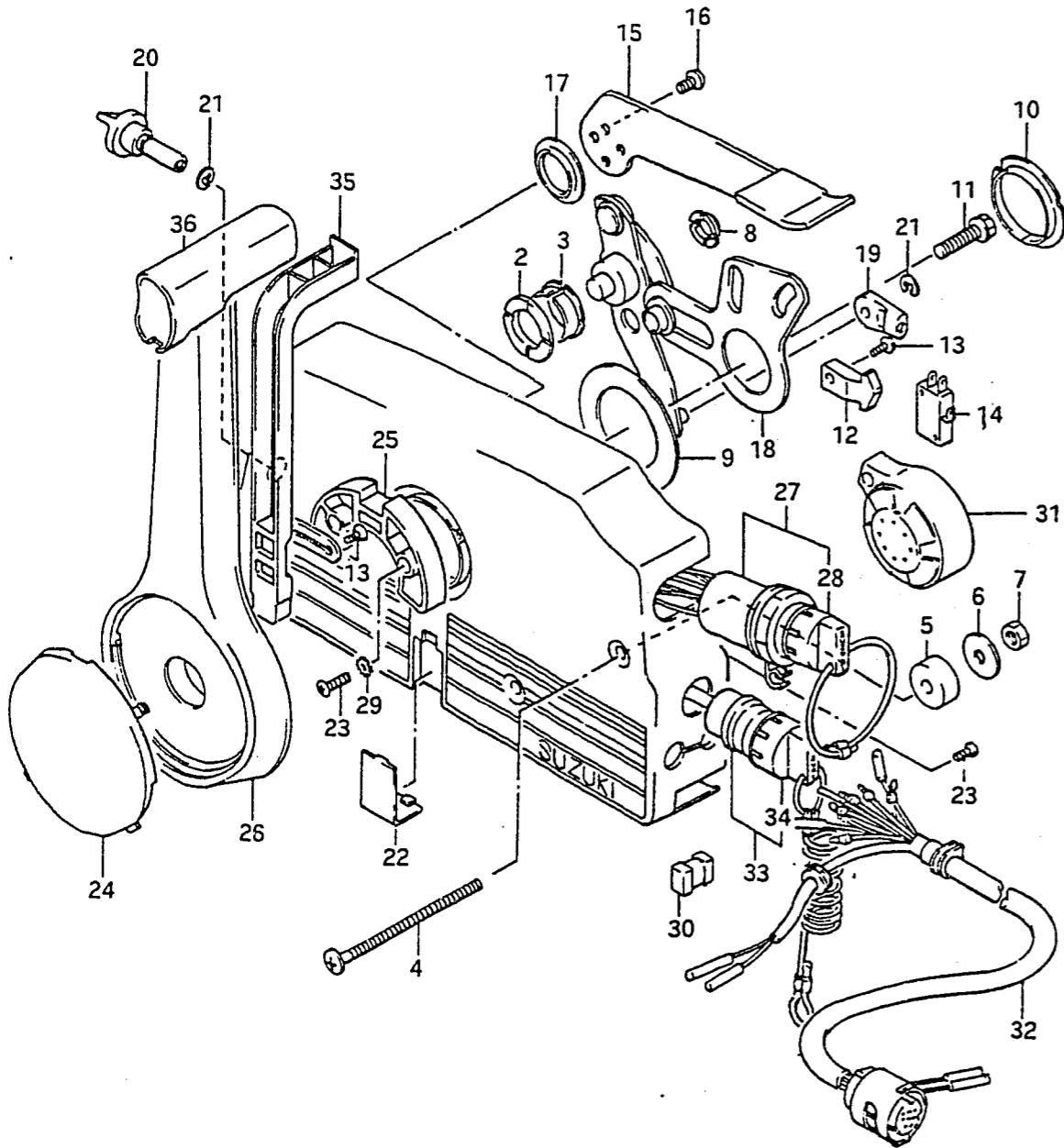
FIG. 26

34

FIG. 26 (E- 7) REMOTE CONTROL

Q'TY

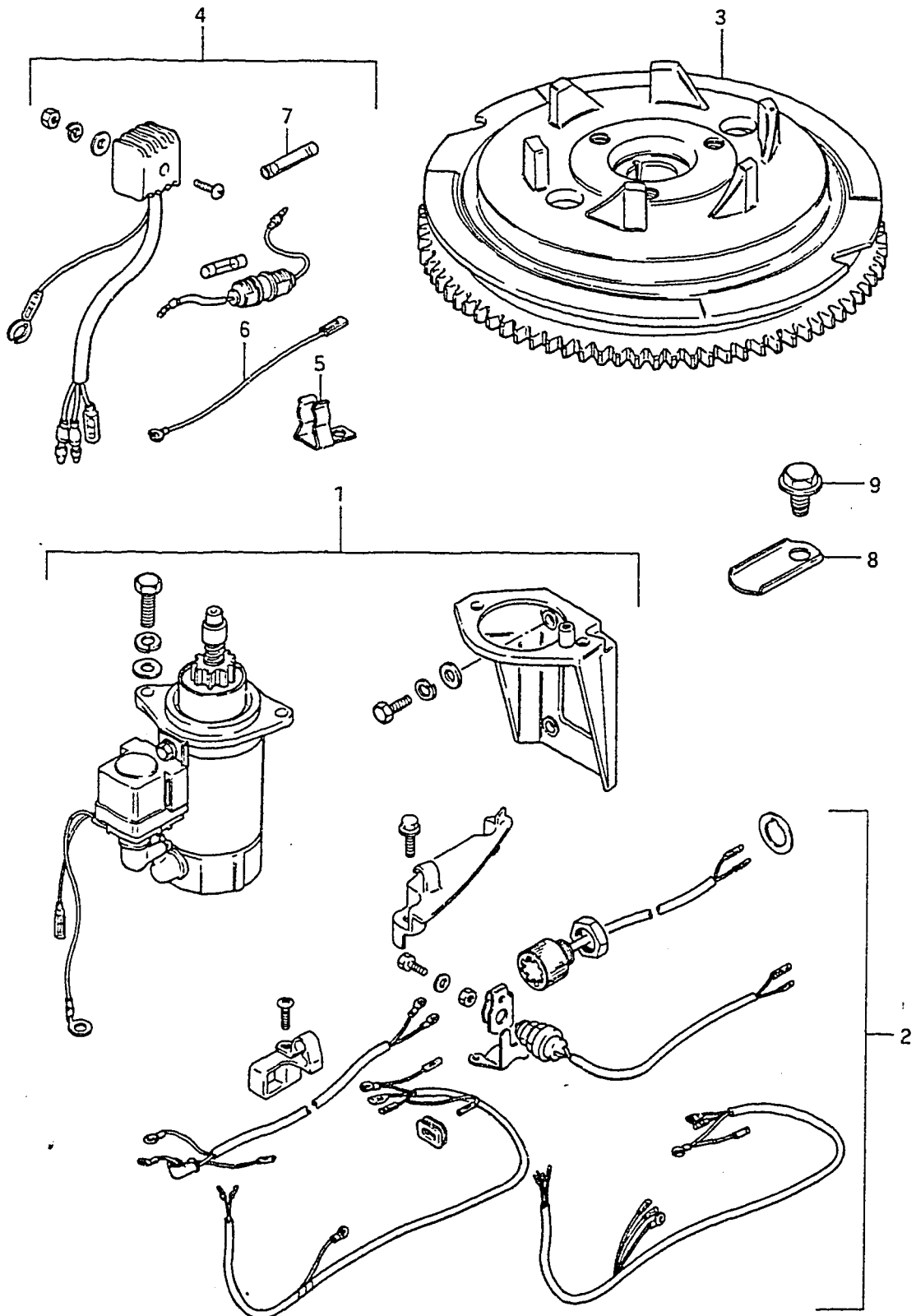
REMARKS



REF.NO.	PART NO.	DESCRIPTION	Q'TY	REMARKS
21	67292-94300	.E RING	3	
22	67267-95600	.COVER, wire	1	
23	67296-95610	.SCREW	7	
24	67257-95600	.CAP, lever	1	
25	67256-95600	.HOLDER, neutral lock	1	
26	67251-95600	.LEVER, handle	1	
27	37110-94600	.IGNITION SWITCH	1	
28-1	37141-94400	..KEY, spare (101)	1	(1) comes standard
28-2	37141-94410	..KEY, spare (102)	1	
28-3	37141-94420	..KEY, spare (103)	1	
28-4	37141-94430	..KEY, spare (104)	1	
28-5	37141-94440	..KEY, spare (105)	1	
28-6	37141-94450	..KEY, spare (106)	1	
29	67297-95600	.WASHER	2	
30	67273-95600	.SPACER	1	
31	38500-94600	.BUZZER	1	
32	36620-94610	.WIRING HARNESS	1	
33	37820-94402	.SWITCH ASSY, emergency	1	
34	37823-94400	..CAP & ROPE	1	
35	67255-95600	.ARM NEUTRAL LOCK	1	
36	67261-95610	.GRIP	1	

FIG. 27

FIG. 27 (F- 2) OPTIONAL : ELECTRICAL (FOR MANUAL STARTER)



REF.NO.	PART NO.	DESCRIPTION	Q'TY	REMARKS
1	31101-96300	MOTOR SET, starter	1	
2	33800-96301	SWITCH, starter/cable set	1	
3	32102-96310	FLYWHEEL	1	
4	32801-96300	RECTIFIER SET	1	
5	36791-95200	.HOLDER	1	
6	36898-93300	.LEAD, wire	1	
7	37132-93700	.WIRE, connector	1	
8	33815-94500	PROTECTOR, cable	1	
9	09103-06049	BOLT (6x12)	1	

MODEL QD/VE:OPT
 MODEL VF:STD

FIG.28 (F- 3) OPTIONAL : ELECTRICAL (FOR MANUAL STARTER)

FIG.28

REF.NO.	PART NO.	DESCRIPTION	Q'TY	REMARKS
1	39600-93900	CONCENT SET	1	model QD/VE
2	39601-93902	.CONCENT ASSY, lamp	1	
3	39602-93900	.PLUG ASSY, lamp cord	1	
4	36632-95501	.CLAMP	1	
5	39603-93900	.GROMMET	1	
6	32500-95721	REGULATOR, voltage	1	
7	01107-06128	BOLT	2	
8	08322-21067	WASHER	2	

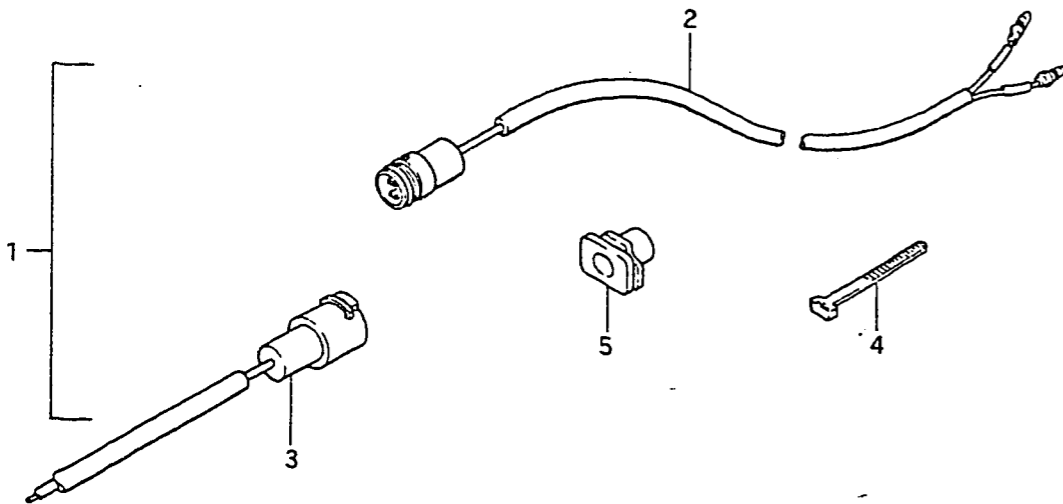
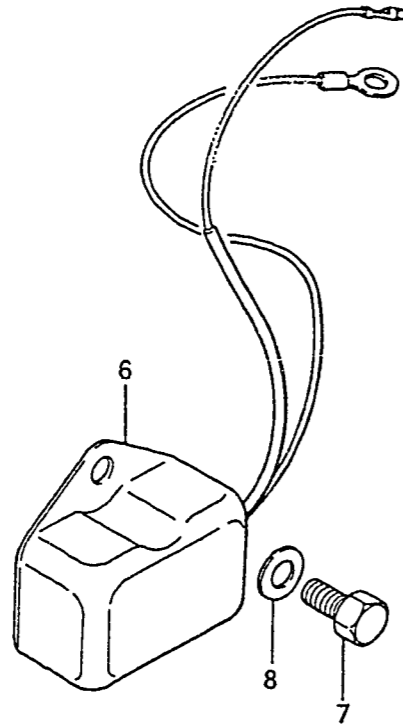


FIG. 29

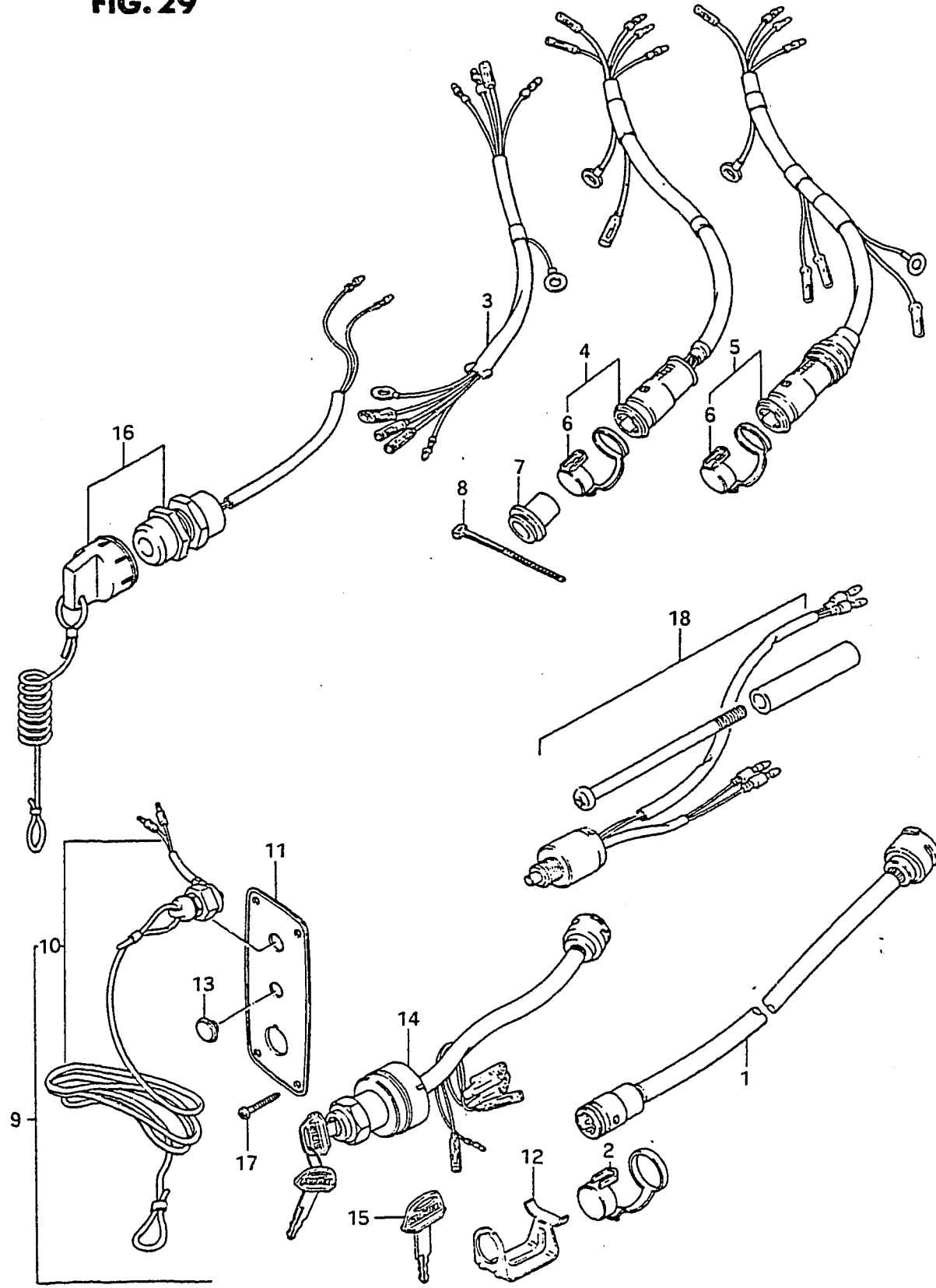


FIG. 29 (F- 4) OPTIONAL : ELECTRICAL (FOR ELECTRIC STARTER)

REF.NO.	PART NO.	DESCRIPTION	Q'TY	REMARKS
1-1	36620-95202	WIRING HARNESS, extension	1	model QD/VE
1-2	36620-95203	WIRING HARNESS, extension	1	model VF
2	36631-94300	.CAP	1	
3	36630-96310	WIRING HARNESS, remo-con (1)	1	model QD/VE
4	36630-96320	WIRING HARNESS, remo-con (2)	1	model QD/VE
5	36630-96330	WIRING HARNESS, remo-con	1	model VF
6	36631-94300	.CAP, remo-con harness	1	
7	36639-94300	GROMMET	1	
8	36632-95501	CLAMP, connector grommet	1	
9	37100-95210	PANEL ASSY, switch	1	
10	37820-95353	.SWITCH ASSY, emergency	1	
11	37139-95251	.PANEL, switch	1	
12	37150-93350	.HOLDER	1	
13	37101-93310	.CAP, panel	2	
14	37110-95210	.SWITCH, emergency	1	
15-1	37141-93300	..KEY, spare (8511)	1	
15-2	37141-93310	..KEY, spare (8512)	1	
15-3	37141-93320	..KEY, spare (8513)	1	
15-4	37141-93330	..KEY, spare (8611)	1	
15-5	37141-93340	..KEY, spare (8612)	1	
15-6	37141-93350	..KEY, spare (8613)	1	
16	37820-94420	SWITCH ASSY, emergency	1	model VF
17	03112-04129	SCREW	4	
18	67140-95300	ATTACHMENT, twin remo-con kit	1	NA05 remo-con box
19	67140-95600	ATTACHMENT, twin remo-con kit	1	NA12S remo-con box

DT30R VF E3

DT30R VF E3

F4

FIG. 30

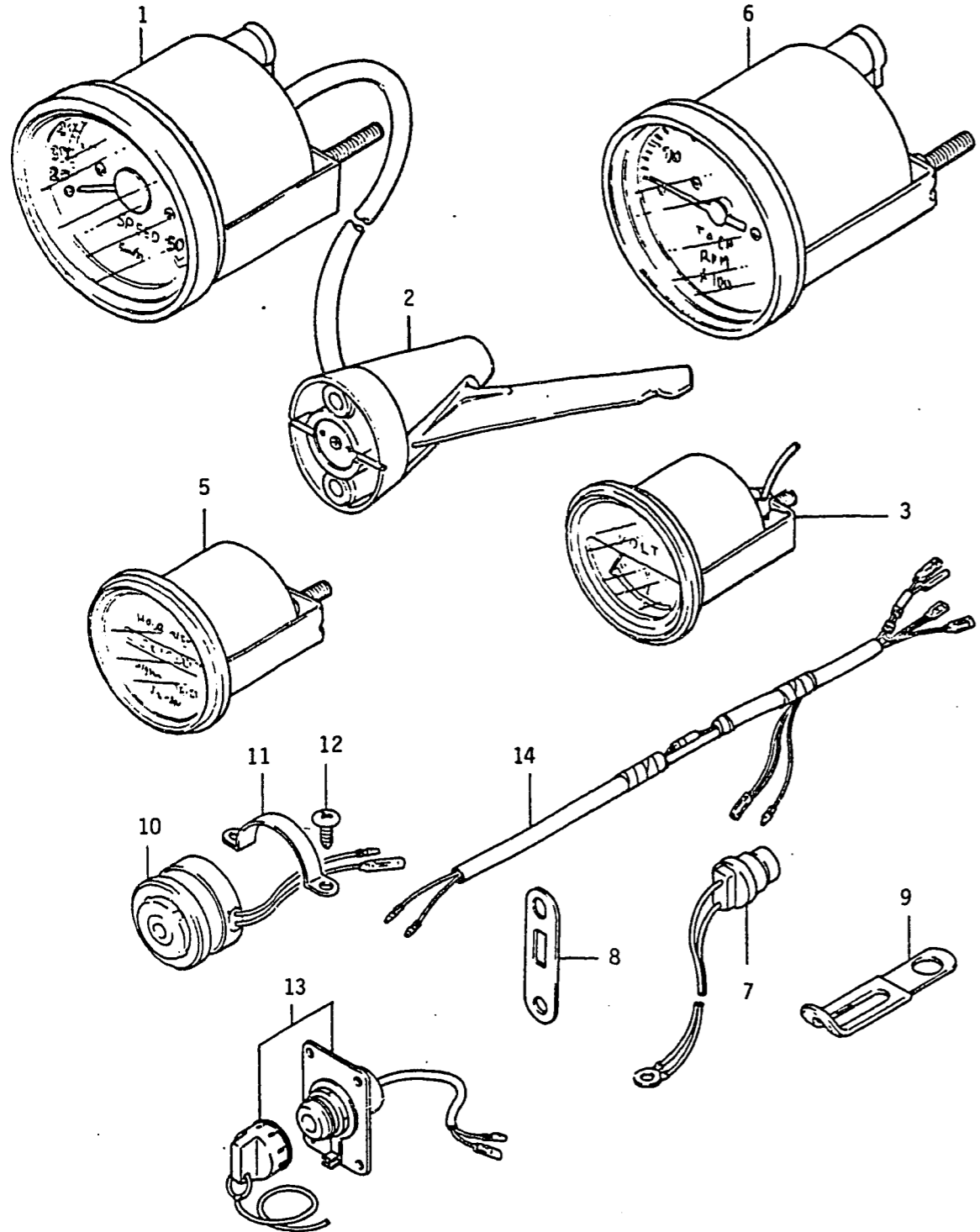


FIG.30 (F-5) OPTIONAL: INSTRUMENTS/METERS

REF.NO.	PART NO.	DESCRIPTION	Q'TY	REMARKS
1	99105-00176	SPEEDOMETER ASSY	1	0-80 MPH
2	99105-00176-001	.PITOT TUBE	1	
3	99105-00177	VOLTMETER	1	
4	99105-00178	FUEL GAUGE	1	Not Shown
5	99105-00180	HOURMETER	1	
6	99105-00181	TACHOMETER ASSY	1	0-8K RPM
7	34850-94700	SWITCH, heat	1	
8	34853-94301	SUPPORTER, unit	1	
9	09404-08201	CLAMP (L:52)	1	
10	38500-95503	BUZZER, warning	1	
11	38501-95500	BAND, warning buzzer	1	
12	02112-05088	SCREW	2	
13	34108-94500	SWITCH ASSY, meter lighting	1	
14	34109-94500	LEAD, meter extension	1	

FIG.31

FIG.31 (F- 6) OPTIONAL : REMOTE CONTROL PARTS

Q'TY

REF.NO.	PART NO.	DESCRIPTION	Q'TY	REMARKS
1	67130-94302-02M	REMOTE CONTROL PARTS ASSY	1	
2	67341-94301	.HOLDER, remo-con cable	2	model VF:STD
3	67440-93701	.GUIDE, clutch cable	1	
4	09205-02006	.SPRING PIN	1	
5	09440-09012	.SPRING	1	
6	09160-06015	.WASHER (6.5x13x1)	2	
7	09100-06115	.BOLT (6x15)	2	
8	67466-95200	.CONNECTOR, remo-con cable	1	
9	67414-94301-02M	.LEVER, remo-con throttle	1	
10	09100-06115	.BOLT (6x15)	1	
11	09160-06015	.WASHER (6.5x13x1)	1	
12	09119-06047	.BALL PIVOT	1	

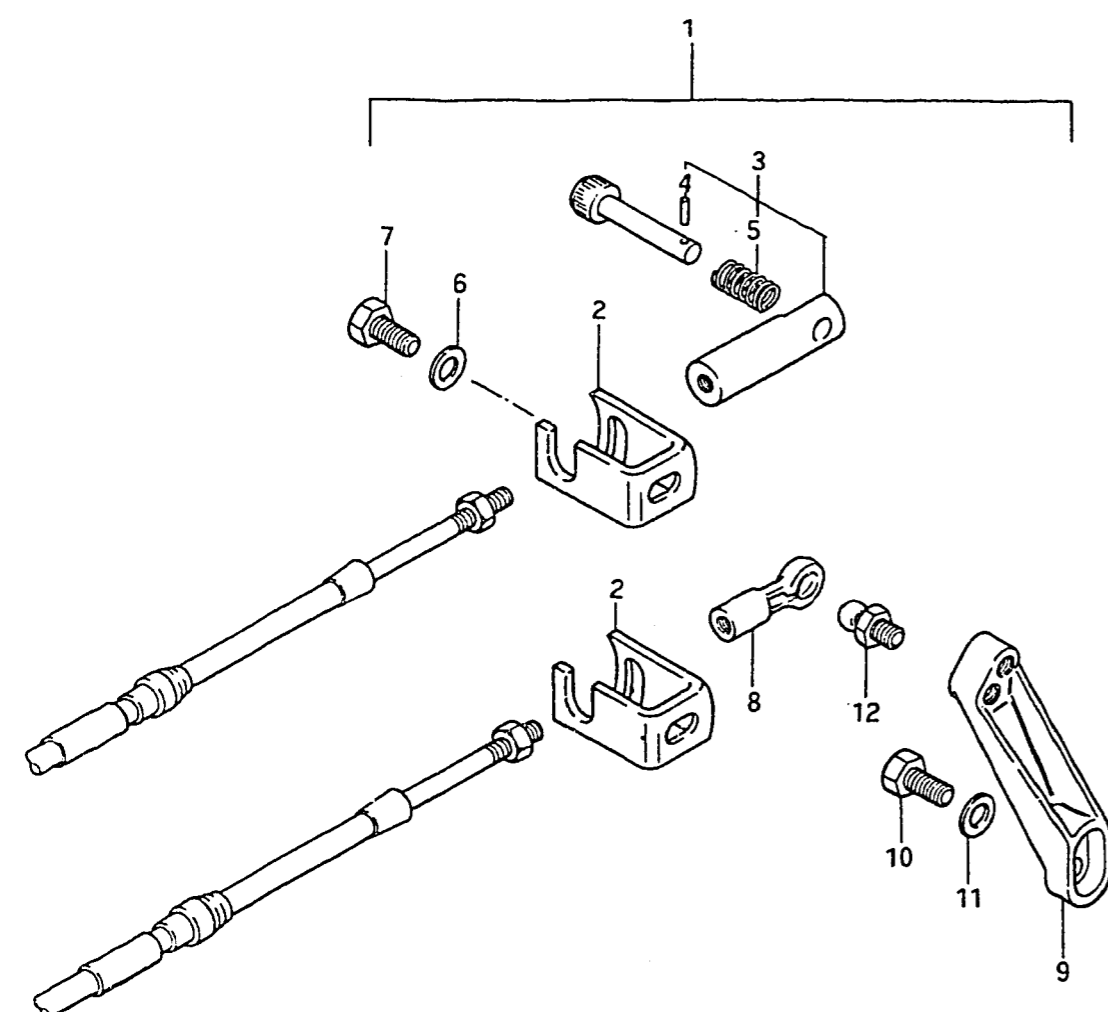
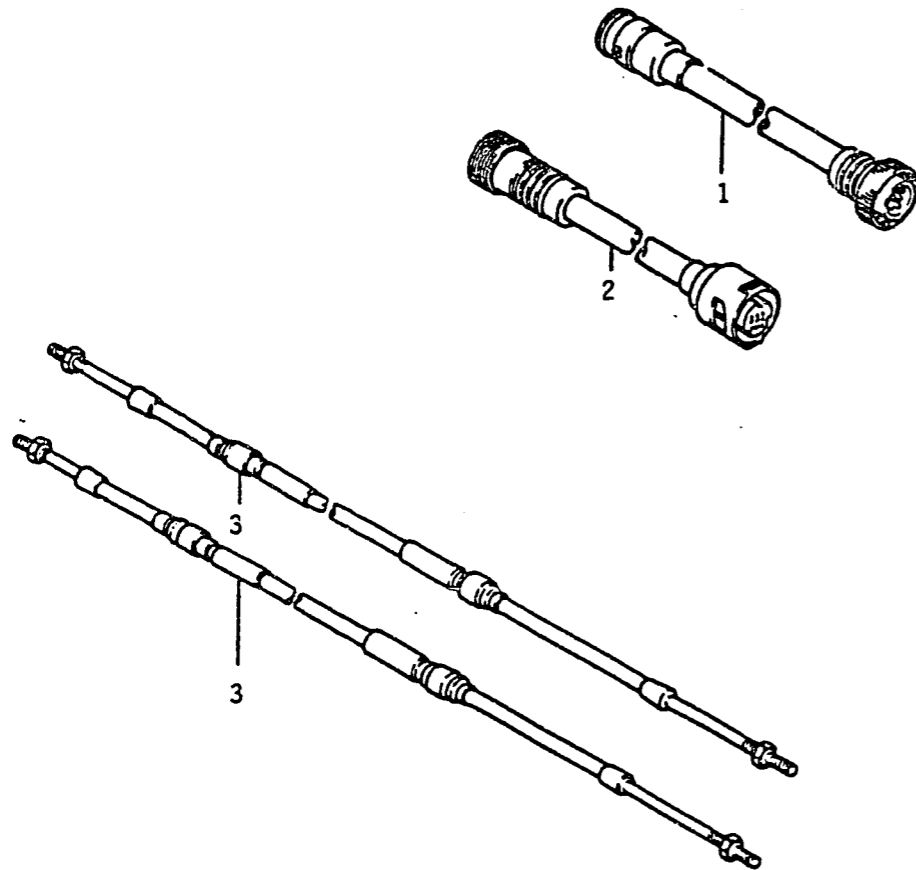


FIG. 32

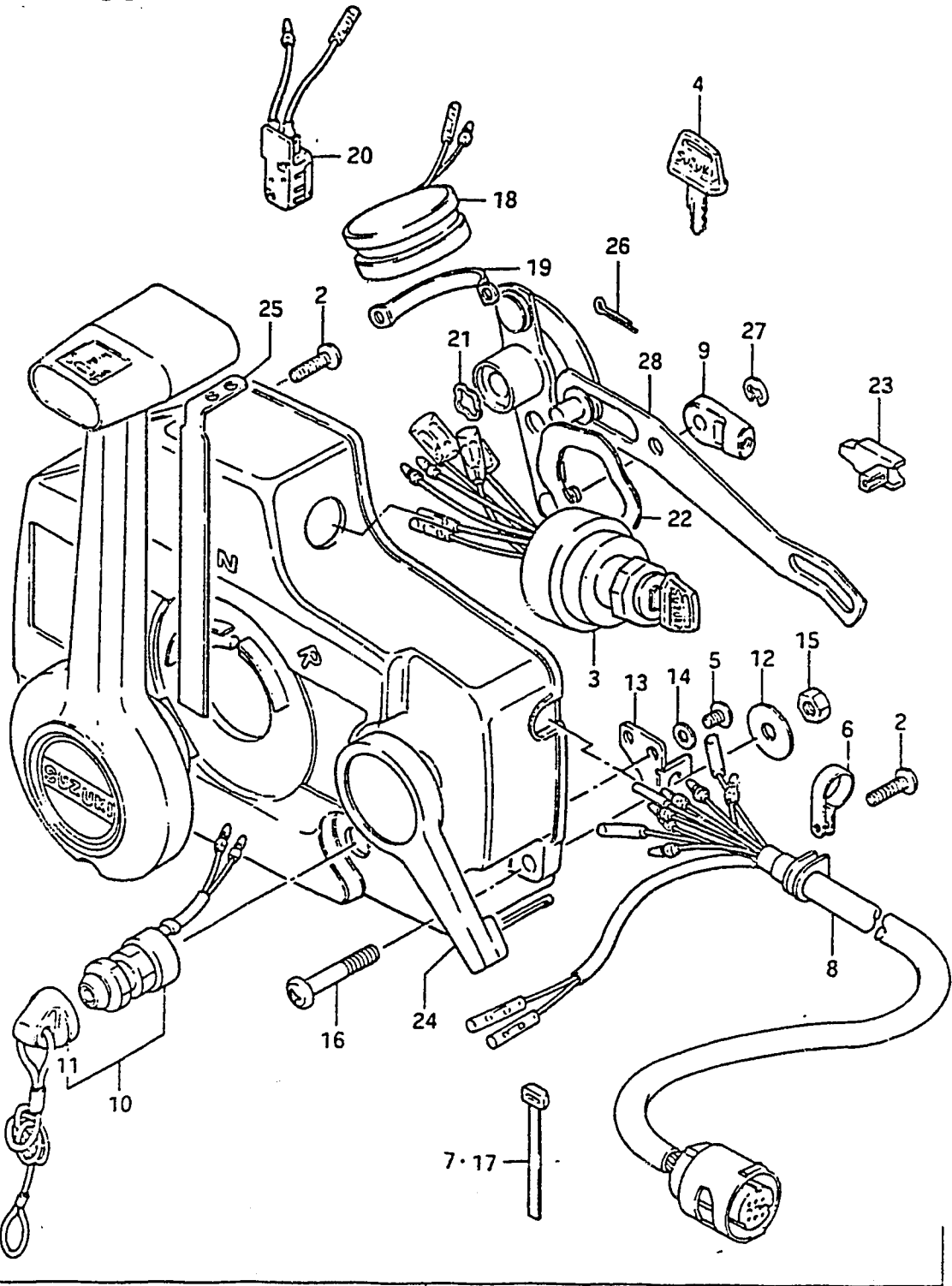
FIG. 32 (F-7) OPTIONAL



REF.NO.	PART NO.	DESCRIPTION	Q'TY	REMARKS
1	36642-94702	ADAPTER (N.O.)	1	
2	36641-94701	ADAPTER (O.N.)	1	
3-1	99105-00006	CABLE, remote control	2	L: 6 ft.
3-2	99105-00007	CABLE, remote control	2	L: 7 ft.
3-3	99105-00008	CABLE, remote control	2	L: 8 ft.
3-4	99105-00009	CABLE, remote control	2	L: 9 ft.
3-5	99105-00010	CABLE, remote control	2	L: 10 ft.
3-6	99105-00011	CABLE, remote control	2	L: 11 ft.
3-7	99105-00012	CABLE, remote control	2	L: 12 ft.
3-8	99105-00013	CABLE, remote control	2	L: 13 ft.
3-9	99105-00014	CABLE, remote control	2	L: 14 ft.
3-10	99105-00015	CABLE, remote control	2	L: 15 ft.
3-11	99105-00016	CABLE, remote control	2	L: 16 ft.
3-12	99105-00017	CABLE, remote control	2	L: 17 ft.
3-13	99105-00018	CABLE, remote control	2	L: 18 ft.
3-14	99105-00019	CABLE, remote control	2	L: 19 ft.
3-15	99105-00020	CABLE, remote control	2	L: 20 ft.
3-16	99105-00022	CABLE, remote control	2	L: 22 ft.

FIG. 33

FIG.33 (F- 8) OPTIONAL : REMOTE CONTROL

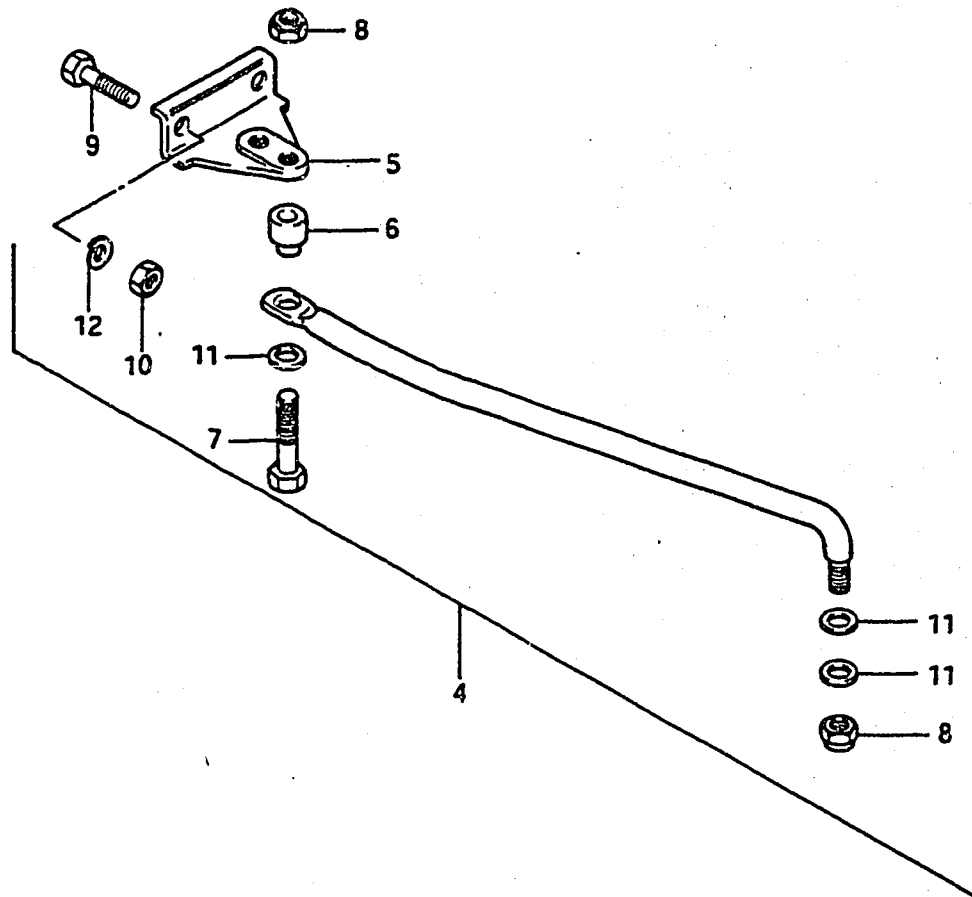


Q'TY

REMARKS

REF.NO.	PART NO.	DESCRIPTION	Q'TY	REMARKS
1	67200-95551	REMOTE CONTROL BOX	1	
2	67296-94300	.SCREW	3	
3	37110-94301	.SWITCH ASSY, ignition	1	
4-1	37141-93300	..KEY, spare 8511	1	(1) is standard
4-2	37141-93310	..KEY, spare 8512	1	
4-3	37141-93320	..KEY, spare 8513	1	
4-4	37141-93330	..KEY, spare 8611	1	
4-5	37141-93340	..KEY, spare 8612	1	
4-6	37141-93350	..KEY, spare 8613	1	
5	67296-94310	.SCREW	6	
6	36622-94300	.CLAMP	2	
7	36632-95501	.CLAMP	1	
8	36620-94320	.WIRING HARNESS	1	
9	67275-94300	.END, cable	2	
10	37820-96302	.SWITCH, emergency	1	
11	37823-95251	..CAP, emergency switch	1	
12	67288-94300	.WASHER	6	
13	67271-94300	.HOLDER, cable	1	
14	67288-94310	.WASHER	3	
15	09140-06004	.NUT	3	
16	09125-06012	.SCREW	3	
17	37119-94300	.BAND	3	
18	38500-95503	.BUZZER, warning	1	
19	38501-95500	.BAND, warning buzzer	1	
20	37721-95551	.SWITCH ASSY, neutral	1	
21	67232-94300	.BUSH	1	
22	67252-94300	.BUSH	1	
23	67214-94300	.ACTUATOR	1	
24	67241-94300	.LEVER, free throttle	1	
25	67255-94300	.ARM, neutral lock	1	
26	67293-94300	.PIN	1	
27	67292-94300	.E RING	3	
28	67220-94300	.PLATE ASSY	1	

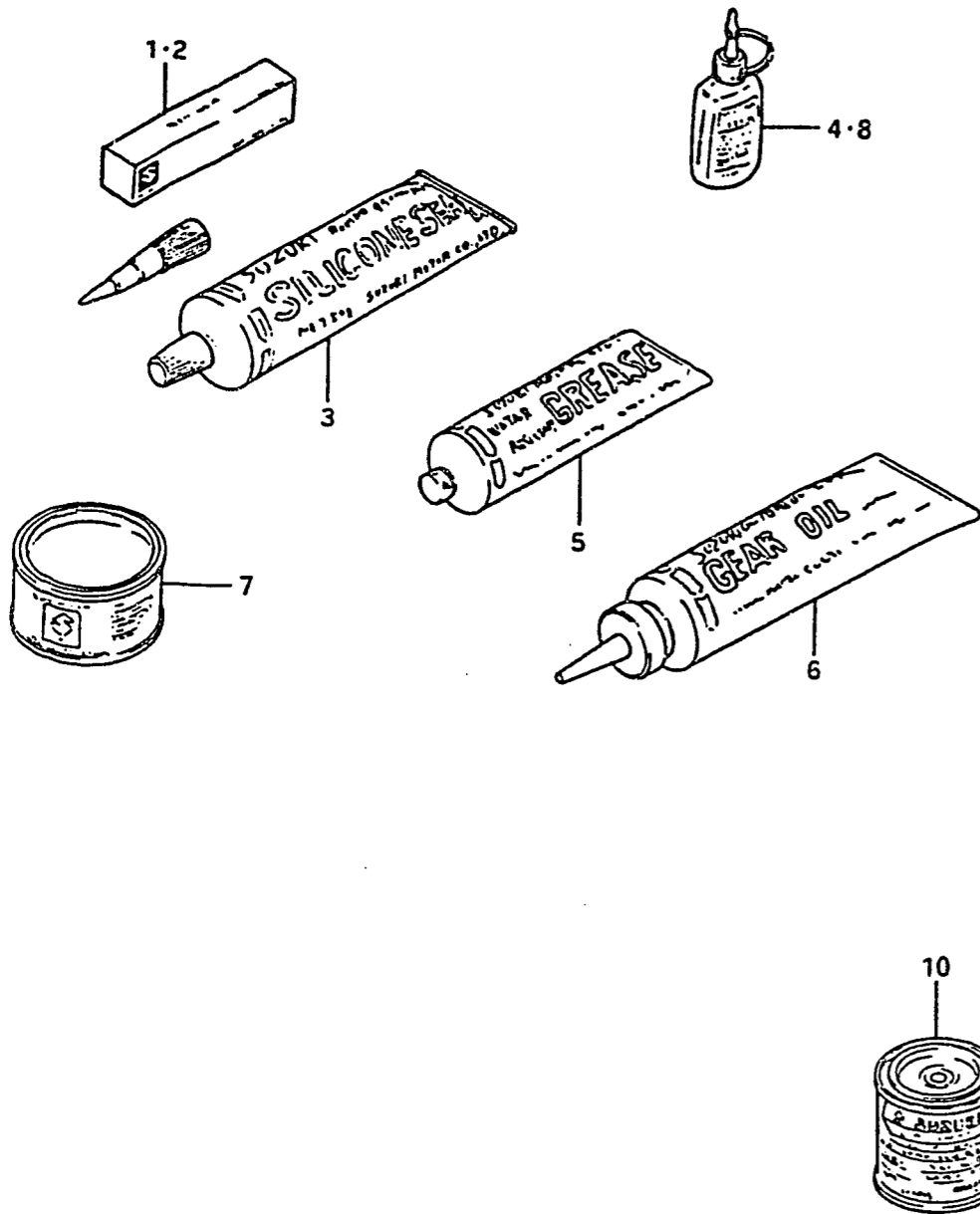
FIG. 34



42

FIG. 34 (F- 9) OPTIGVAL : TIE-ROD / EXTENSION BAR

REF.NO.	PART NO.	DESCRIPTION	Q'TY	REMARKS
4	67701-96300	DRAG LINK ASSY	1	model VF:STD
5	43755-96301	.ATTACHMENT, steering BRKT	1	
6	67721-94300	.SPACER	1	
7	67725-94500	.BOLT	1	
8	67726-94500	.NUT	2	
9	09100-08224	.BOLT	2	
10	09140-08016	.NUT	2	
11	67728-94500	.WASHER	3	
12	09162-08007	.LOCK WASHER	2	



REF.NO.	PART NO.	DESCRIPTION	Q'TY		REMARKS
1	99000-31030	GASKET, liquid, No.4	1	100g	
2	99000-31050	SUZUKI BOND, No.1	1	100g	
3	99000-31120	SUZUKI SILICON SEAL	1	50g	
4	99000-32050	THREAD LOCK CEMENT, super	1	50g	
5-1	99000-25160	GREASE, water resistant	1	250g	
5-2	99000-25170	GREASE, water resistant	1	50g	
6	99000-22540	GEAR OIL, outboard motor	1	400cc	
7	99000-25010	SUZUKI SUPER GREASE	1	450g	
8	99000-32020	THREAD LOCK CEMENT, super	1	50g,103Q	
10-1	99000-10109-01T	PAINT (Francois White)	1	90g	
10-2	99000-10209-02M	PAINT (Arctic Silver)	1	90g	